

Pressure Switch SP Series



Features and Handling

- Working pressure from 7 bar (102 psi) up to 700 bar (10,150 psi)
- Proof pressure up to 1150 bar (16,675 psi)
- Accuracy +/- 2%
- Used for Mineral oil or water glycol
- Fluid Temperature -20°C ~ +70 °C
- Ambient Temperature -20°C ~ +60 °C
- Adjustable or Fixed **differential pressure** setting
- 100 million life cycle test approved (both electric and mechanical)
- Base mounting and thread connection BSPT **3/8" Female** (BSPF 1/2" male for SP-R-700 model)
- Can be mount at any direction for friendly operation
- Electrical type SPDT with Electrical cable gland PF1/2"
- **Aluminum & Brass housing material**
- Easy preset pressure adjustment
- Dustproof and waterproof
- No drain port required

Order Code and Specification

SP - R (H) - 250

Pressure Range
see table

Handle
Omit - none
H - with handle

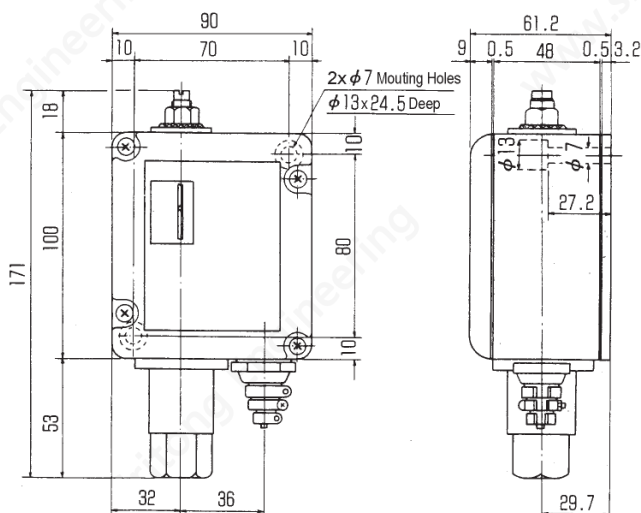
Differential type
R - Variable differential type
RV - Fixed differential type

AC Voltage	Rated Current	DC Voltage	Rated Current
AC 125V	15A	DC 30V	6A
AC 250V	15A	DC 125V	0.5A
AC 480V	15A	DC 250V	0.25A

Part No.	Maximum Pressure bar (psi)	Pressure Range bar (psi)	Proof Pressure bar (psi)	Variable Differential	Fixed Differential
				Pressure Range bar (psi)	Pressure Range bar (psi)
SP-R(*) - 50	50 (725)	7 ~ 50 (102 ~ 725)	420 (6,090)	2.9 ~ 5.9 (42 ~ 86)	3 (44)
SP-R(*) - 100	100 (1,450)	15 ~ 100 (218 ~ 1,450)	420 (6,090)	4.9 ~ 9.8 (71 ~ 142)	5 (73)
SP-R(*) - 150	150 (2,175)	20 ~ 150 (290 ~ 2,175)	420 (6,090)	5.9 ~ 11.8 (86 ~ 171)	6 (87)
SP-R(*) - 200	200 (2,900)	25 ~ 200 (363 ~ 2,900)	420 (6,090)	6.9 ~ 13.7 (100 ~ 199)	7 (102)
SP-R(*) - 250	250 (3,625)	30 ~ 250 (435 ~ 3,625)	420 (6,090)	8.8 ~ 17.6 (128 ~ 255)	9 (130)
SP-R(*) - 300	300 (4,350)	35 ~ 300 (508 ~ 4,350)	920 (13,340)	11.8 ~ 23.5 (171 ~ 341)	12 (174)
SP-R(*) - 500	500 (7,250)	55 ~ 500 (798 ~ 7,250)	920 (13,340)	11.8 ~ 23.5 (171 ~ 341)	12 (174)
SP-R(*) - 700	700 (10,150)	75 ~ 700 (1,088 ~ 10,150)	1150 (16,675)	29.4 ~ 58.8 (426 ~ 852)	30 (435)

Installation Dimensions mm

SP-R, SP-RV



SP-RH, SP-RVH

