

Compact Ejectors SCP / SMP

Suction rate from 37 l/min to 200 l/min

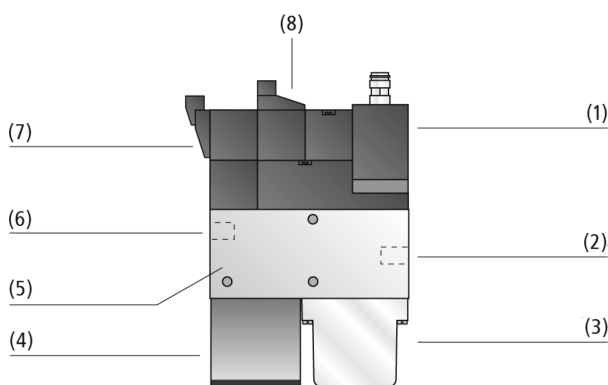
Suitability for Industry Specific Applications

Applications

- Compact ejector for handling of airtight or slightly porous workpieces in the electronics, electrical engineering, packing, robotics and automobile industries



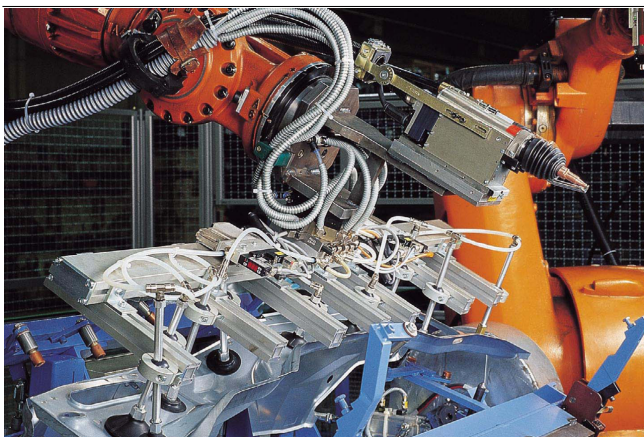
Compact Ejectors SCP / SMP



Design

- Main body (5) made of anodized aluminum
- Functions suction valve optionally NO (normally open) or NC (normally closed) (7)
- Blow-off valve NC (8), filter (3), silencer (4) and non-return valve all integrated
- Optional: electronic vacuum switch (1), integrated air saving function, mounting plate for block installation
- Compact ejectors with air saving function incl. cable
- Vacuum connection (2) and compressed air connection (6)

System Design Compact Ejectors SCP / SMP



Product Highlights

- Optimized air consumption due to finely graduated suction rate (nozzle sizes 1.0 to 3.0 mm)
- Versatile modular system for various requirements
- Automatic air saving function (optional) minimizes energy costs in continuous operation
- Digital vacuum monitoring (optional) via LED display and user friendly membrane keypad

Compact Ejectors



Compact Ejectors SCP / SMP

Suction rate from 37 l/min to 200 l/min

Multimedia product presentation

Medium	Link
Product video	https://vimeo.com/147436675