



# **Section G**

# **Accessories**

**3 reasons for selecting ASTAVA products:**

*All valves and manifolds from barstock in stainless steel type AISI-316-L, meeting NACE requirements, fitted with rotating CERAMIC ball seats.*

*Maintenance free, non lubricated valve stems with chromium-carbide diffusion coating.*

*T.Ü.V. certified ISO-9001  
QUALITY ASSURANCE SYSTEM.*



# Model 32/42.900

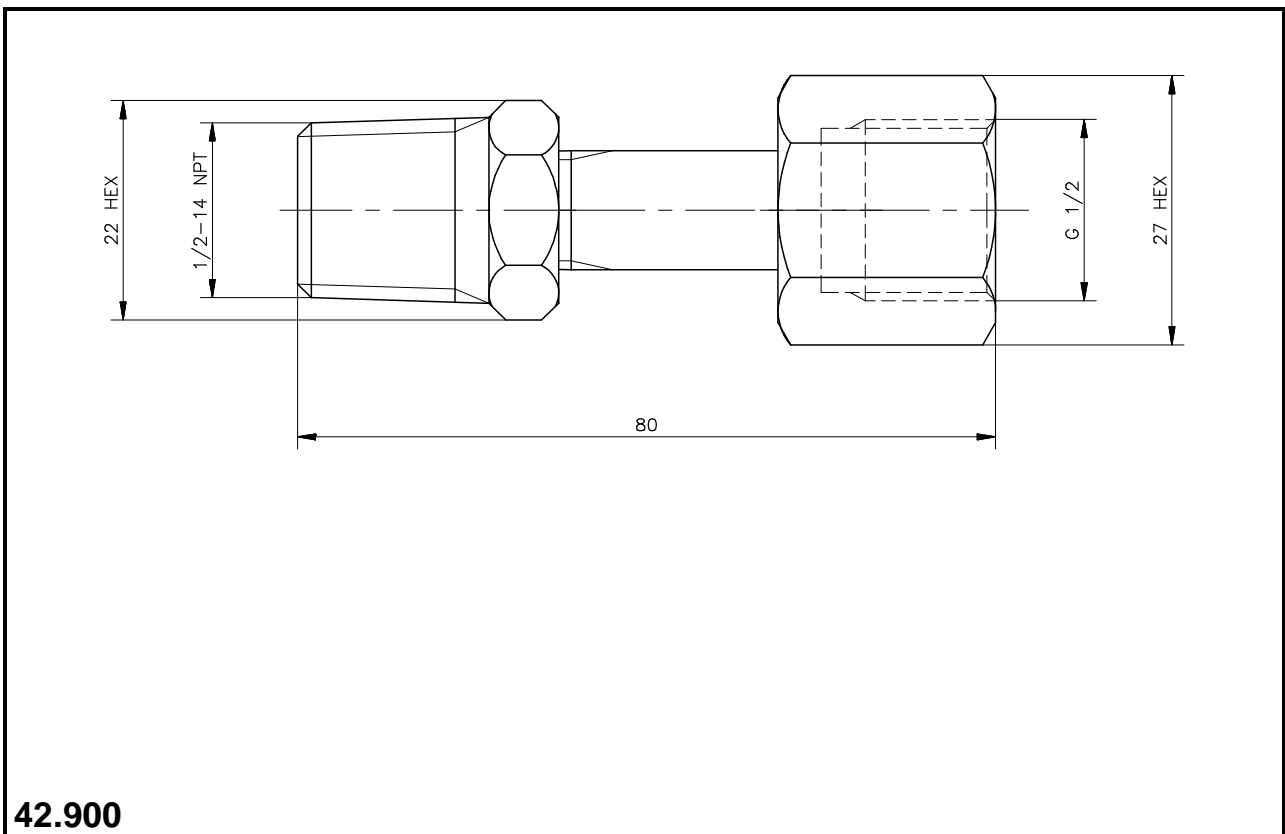
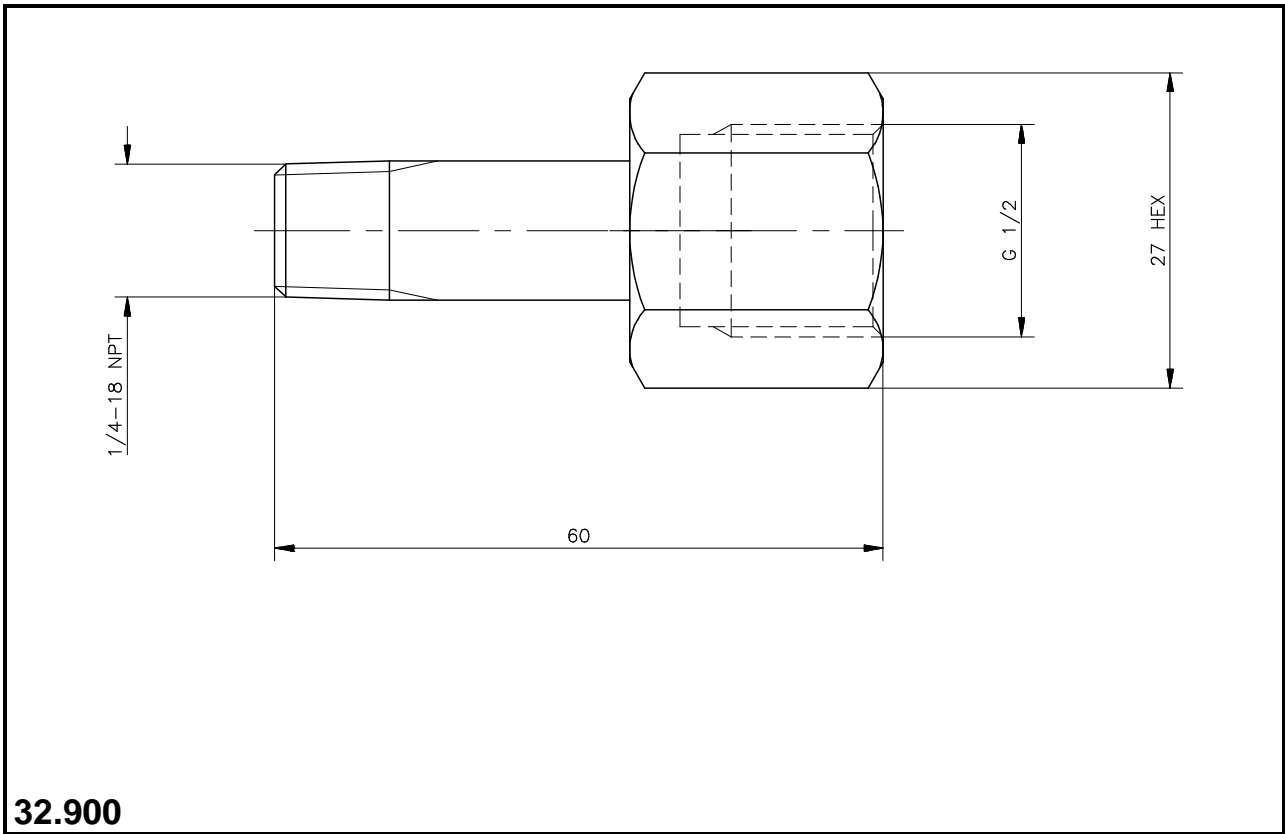


## 42.900

GAGE CONNECTOR PERMITTING 360° POSITIONING OF PRESSURE GAGE

<b>Standard materials</b>			
Tapered end, Nut	AISI 316 L		
<b>Connections</b>		32.900	42.900
Inlet	1/4-18 NPT (M) ANSI / ASME B1.20.1	1/2-14 NPT (M) ANSI / ASME B1.20.1	
Outlet	G 1/2 (F) ISO 228/1	G 1/2 (F) ISO 228/1	
Operating pressure / temperature rating		413 barg 38°C 6000 psig 100°F 200 barg 200°C 3000 psig 450°F	

# Model 32/42.900





# Model Fittings



**35.900, 36.900, 50.900, 50.904**

**NIPPLE, COUPLING, PLUG HEXAGON HEAD, PLUG HEXAGON SOCKET HEAD**

<b>Standard materials</b>				
Body		AISI 316 L		
<b>Size</b>				
Fitting	Hexagon nipple	Hexagon nipple (Hast C-276)	Hexagon nipple	Coupling
Model	35.900	35.903	35.901	36.900
Inlet /Outlet	2 x 1/2-14 NPT (M) ANSI / ASME B1.20.1	2 x 1/2-14 NPT (M) ANSI / ASME B1.20.1	2 x 1/4-18 NPT (M) ANSI / ASME B1.20.1	2 x 1/2-14 NPT (F) ANSI / ASME B1.20.1
<b>Size</b>				
Fitting	Reducer	Plug hexagon head	Plug hexagon head	Plug hexagon head
Model	47.900	50.900	50.901	50.906
	1/2-14 NPT (M) x 1/4-18 NPT (F) ANSI / ASME B1.20.1	1/2-14 NPT (M) ANSI / ASME B1.20.1	1/4-18 NPT (M) ANSI / ASME B1.20.1	G 1/4 (M) ISO 228/1
<b>Size</b>				
Fitting	Plug hexagon head	Plug hexagon socket head	Plug hexagon socket head	Plug hexagon socket head (Monel)
Model	50.907	50.903	50.904	50.924
	G 1/2 (M) ISO 228/1	1/8-27 NPT (M) ANSI / ASME B1.20.1	1/4-18 NPT (M) ANSI / ASME B1.20.1	1/4-18 NPT (M) ANSI / ASME B1.20.1

# Model Fittings



<p>52 1/2-14 NPT (2X) 22 HEX</p>	<p>44 1/4-18 NPT (2X) 14 HEX</p>		
<p><b>35.900</b></p>	<p><b>35.901</b></p>		
<p>48 27 ZKT 1/2-14 NPT (2X)</p>	<p>22 HEX 1/2-14 NPT 30 1/4-18 NPT</p>		
<p><b>36.900</b></p>	<p><b>47.900</b></p>		
<p>1/2-14 NPT 30 27 HEX</p>	<p>1/4-18 NPT 17 14 HEX</p>	<p>12 24 18 12 2 22 HEX G 1/4</p>	<p>14 27 26 3 27 HEX G 1/2</p>
<p><b>50.900</b></p>	<p><b>50.901</b></p>	<p><b>50.906</b></p>	<p><b>50.907</b></p>
<p>1/8-27 NPT 8 5 HEX</p>	<p>1/4-18 NPT 11 6 HEX</p>	<p>1/4-18 NPT 11 6 HEX</p>	
<p><b>50.903</b></p>	<p><b>50.904</b></p>	<p><b>50.924</b></p>	



# Model Bleed valve



## PICTURE MODEL 52.900

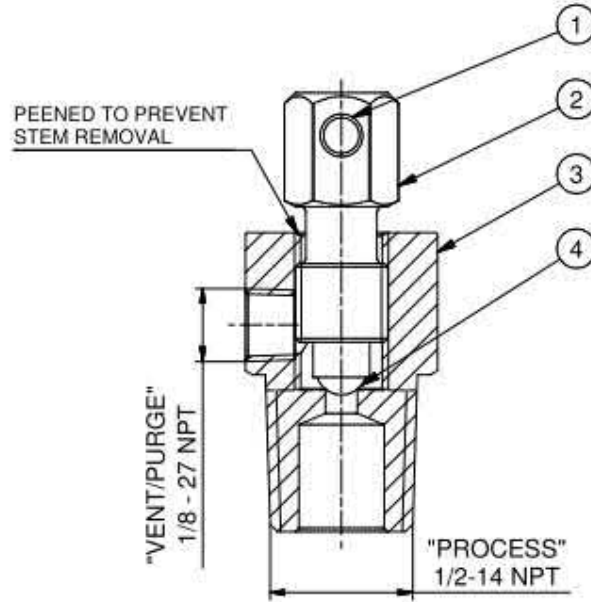
### BLEED VALVE T-BAR OPERATED

<b>Standard materials</b>			
Body	AISI 316 L		
Needle point	Rotating ceramic ball Al <sub>2</sub> O <sub>3</sub>		
Stem	AISI 316 Ti with chromium-carbide diffusion coating		
<b>Connections</b>	<b>119-05</b>	<b>52.900</b>	<b>52.900/14</b>
Process	1/4-18 NPT (M) ANSI / ASME B1.20.1	1/2-14 NPT (M) ANSI / ASME B1.20.1	1/4-18 NPT (M) ANSI / ASME B1.20.1
Bleed	1/8-27 NPT (F) ANSI / ASME B1.20.1	1/8-27 NPT (F) ANSI / ASME B1.20.1	3 mm outlet
<b>Connections</b>	<b>52.950</b>		
Process	1/2-14 NPT (M) ANSI / ASME B1.20.1		
Bleed	M10- 6 H		

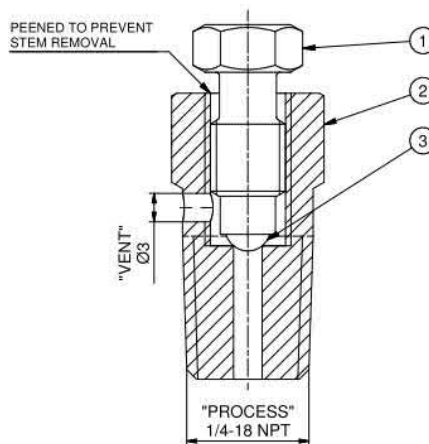
<b>Stem packing</b>	GRAFOIL nuclear quality		
<i>Operating pressure / temperature rating</i>	413 barg 38°C 6000 psig 100°F 200 barg 400°C 3000 psig 750°F	345 barg at 120 degrees C Max. pressure at 120 degrees C is 390 barg.	345 barg at 120 degrees C Max. pressure at 120 degrees C is 390 barg.

<b>Optional</b>	
Extended length of 100 mm	xx.xxx/L
Process connection 3/4" NPT (M)	xx-xxx/34
Wetted parts Alloy 6Mo (254Smo)	xx.xxx1 1
Wetted parts Alloy 400	xx.xxx2

# Model Bleed valve

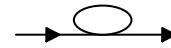


52.900



52.900/14



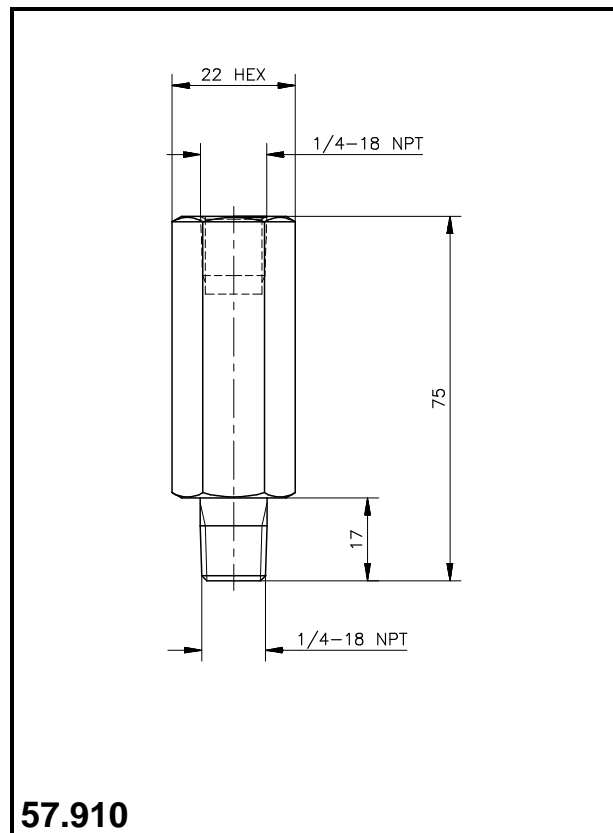
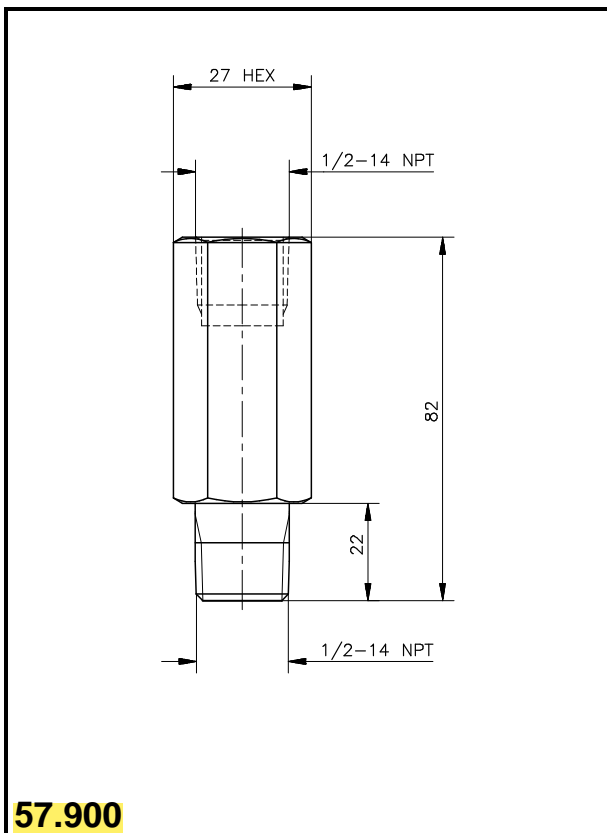
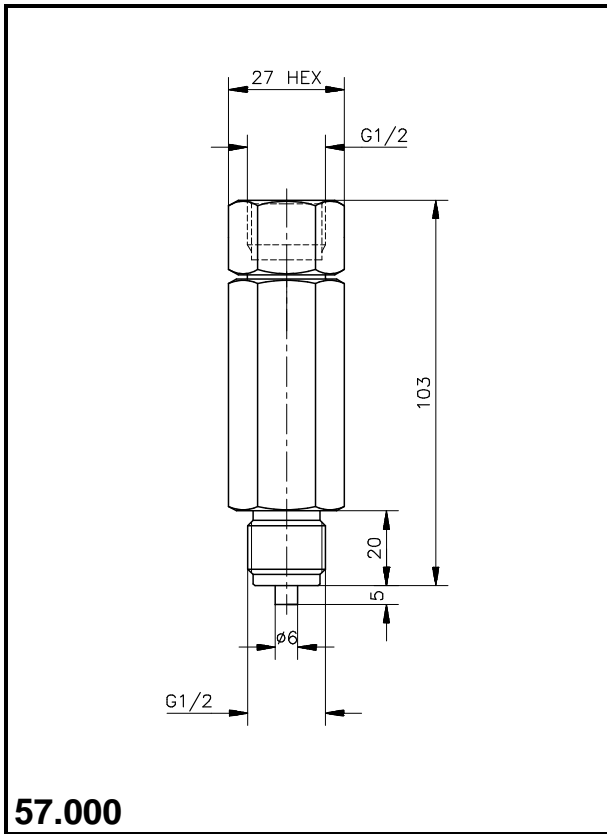


## 57.900

### SYPHON REPLACING PIGTAIL OR PULSATION DAMPENER

<b>Standard materials</b>			
Body	AISI 316 L		
Inner tube	AISI 316 L		
Outer tube	AISI 316 L		
Adaptor (57.000)	AISI 316 L		
<b>Connections</b>			
	57.000	57.900	57.910
Inlet	G 1/2 A (M) ISO 228/1	1/2-14 NPT (M) ANSI / ASME B1.20.1	1/4-18 NPT (M) ANSI / ASME B1.20.1
Outlet	G 1/2 (F) ISO 228/1	1/2-14 NPT (F) ANSI / ASME B1.20.1	1/4-18 NPT (F) ANSI / ASME B1.20.1
<b>Operating pressure / temperature rating</b>			
Minimum	400 barg 20°C 6000 psig 70°F		
Maximum	200 barg 200°C 3000 psig 400°F		

# Syphons





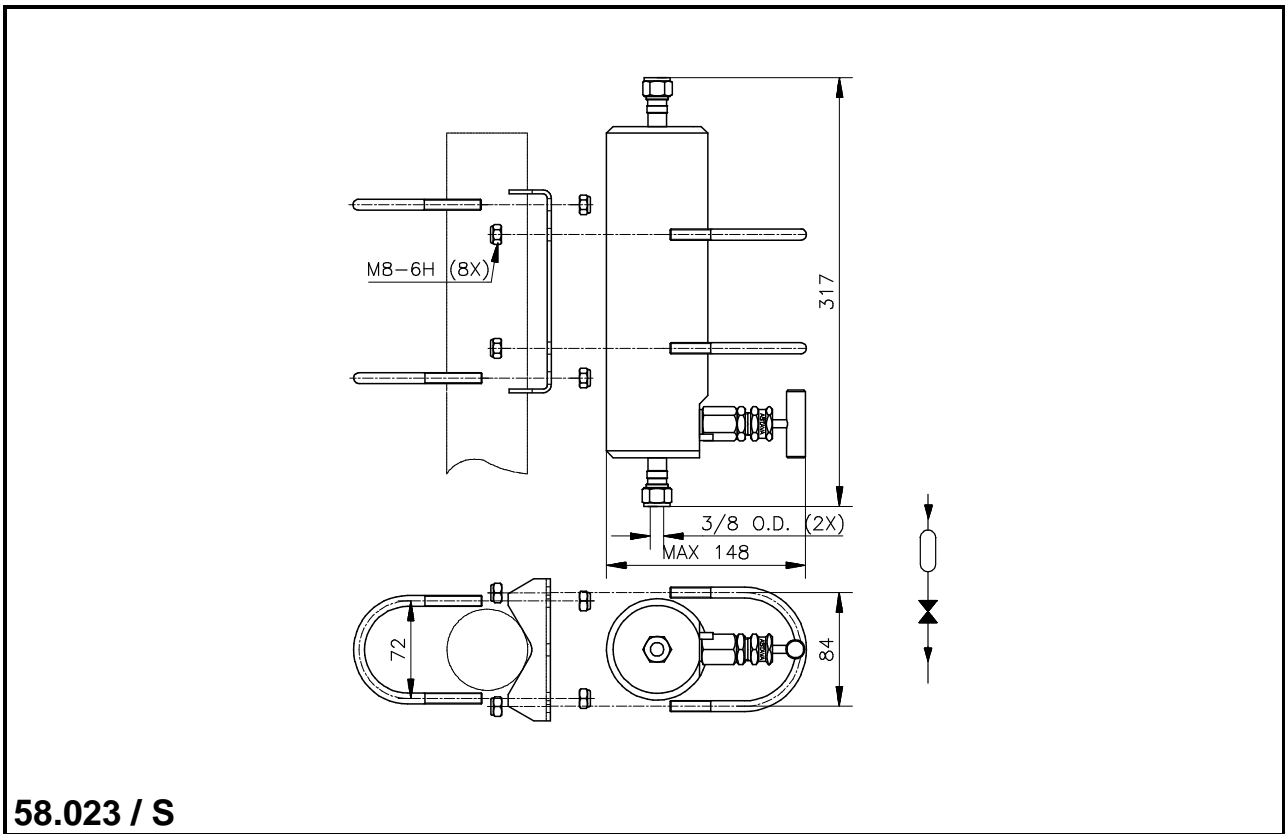
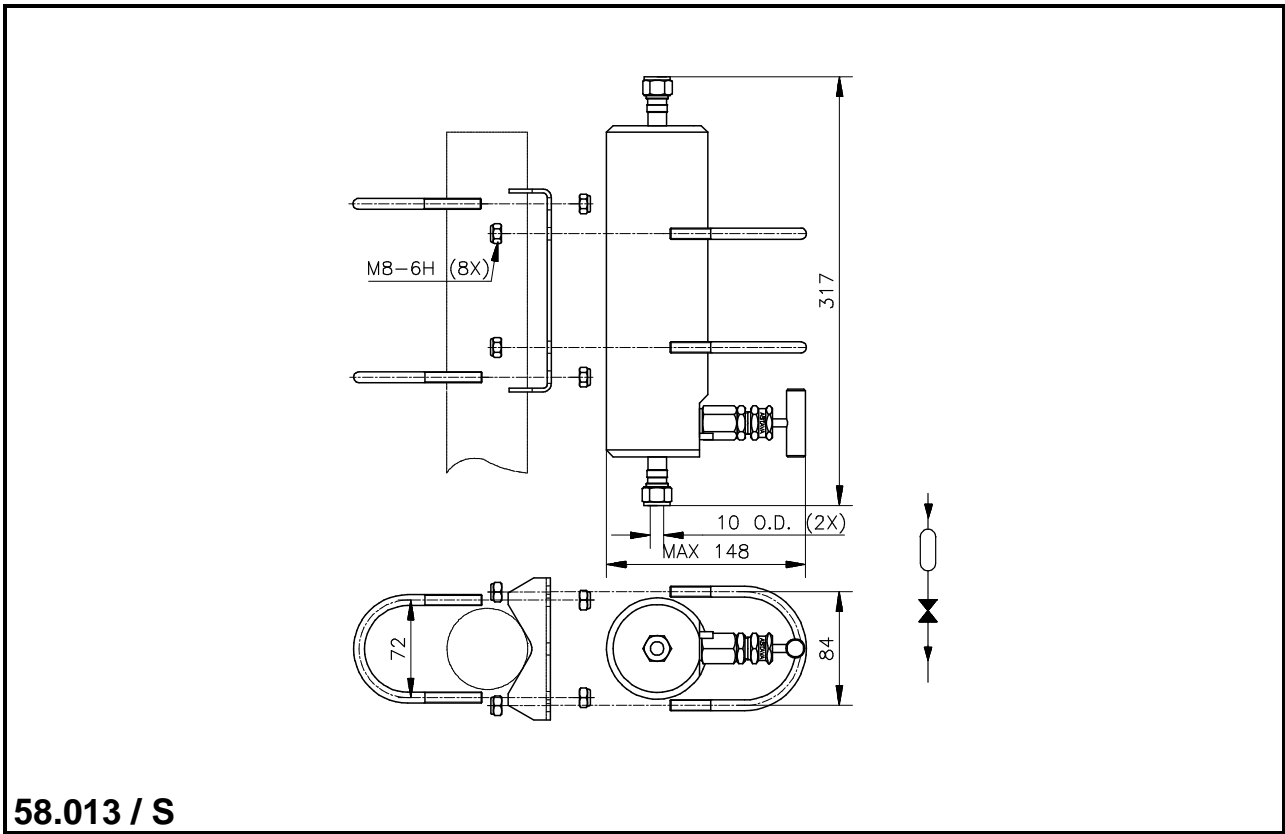
# Model 58.013/023



**58.013/S**  
SEALPOT 334 CC WITH DRAIN VALVE

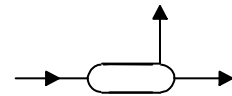
<b>Standard materials</b>				
Body, Bonnet		AISI 316 L		
Needle point		Rotating ceramic ball Al <sub>2</sub> O <sub>3</sub>		
Stem		AISI 316 Ti with chromium-carbide diffusion coating		
Compression fitting		AISI 316		
4 Tie-rods		AISI 316		
Mounting plate		AISI 316		
8 Bolts		AISI 316		
<b>Connections</b>		58.013/S	58.023/S	
Inlet		φ 10 mm O.D.	3/8" O.D.	
Outlet		φ 10 mm O.D.	3/8" O.D.	
<b>Stem packing</b>	GRAFOIL nuclear quality			
<i>Operating pressure / temperature rating</i>	413 barg 38°C 6000 psig 100°F 200 barg 400°C 3000 psig 750°F			

# Model 58.013/023





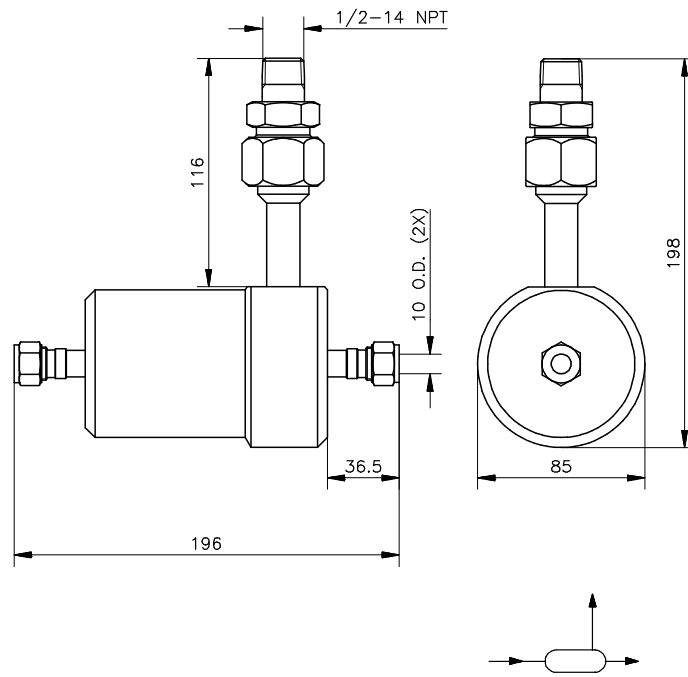
# SEAL POT Model 58.014/024



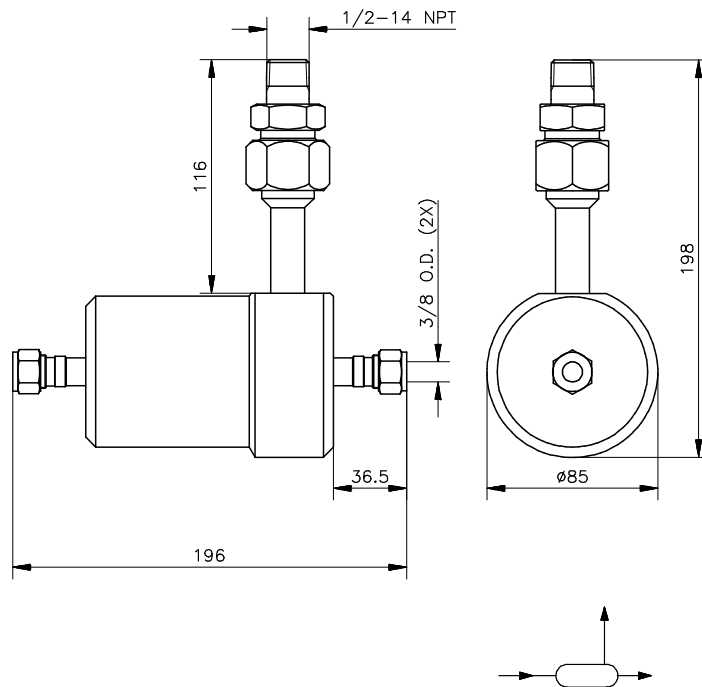
**58.024**  
SEALPOT 165 CC

<b>Standard materials</b>			
Body	AISI 316 L		
Compression fitting	AISI 316		
<b>Connections</b>			
	58.014	58.024	
Inlet /Outlet	2 x $\varnothing$ 10 mm O.D.	2 x 3/8" O.D.	
Vent / Purge	1/2- 14 NPT (M) ANSI / ASME B1.20.1	1/2- 14 NPT (M) ANSI / ASME B1.20.1	
<b>Operating pressure / temperature rating</b>			
	413 barg 38°C 6000 psig 100°F 200 barg 400°C 3000 psig 750°F	413 bar 38 °C 6000 psig °F 200 bar 400 °C 3000 psig 750°C	

# Model 58.014/024



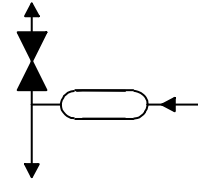
58.014



58.024



# Model 58.026/016



## 58.026-05/SL10

SEALPOT 50 CC WITH TAMPER PROOF VENT VALVE AND SWAGELOK® 10 MM OD CONNECTORS

<b>Standard materials</b>	
Body, Bonnet	AISI 316 L
Needle point	Rotating ceramic Al <sub>2</sub> O <sub>3</sub>
Stem	AISI 316 Ti with chromium-carbide diffusion coating

<b>Connections</b>	<b>58.026-05</b>	<b>58.016-05</b>	
Inlet	2 x G 1/4 (F) ISO 228/1	2 x 1/4-18 NPT (F) ANSI/ASME B1.20.1	
Vent / Purge	G 1/4 (F) ISO 228/1	1/4-18 NPT (F) ANSI/ASME B1.20.1	

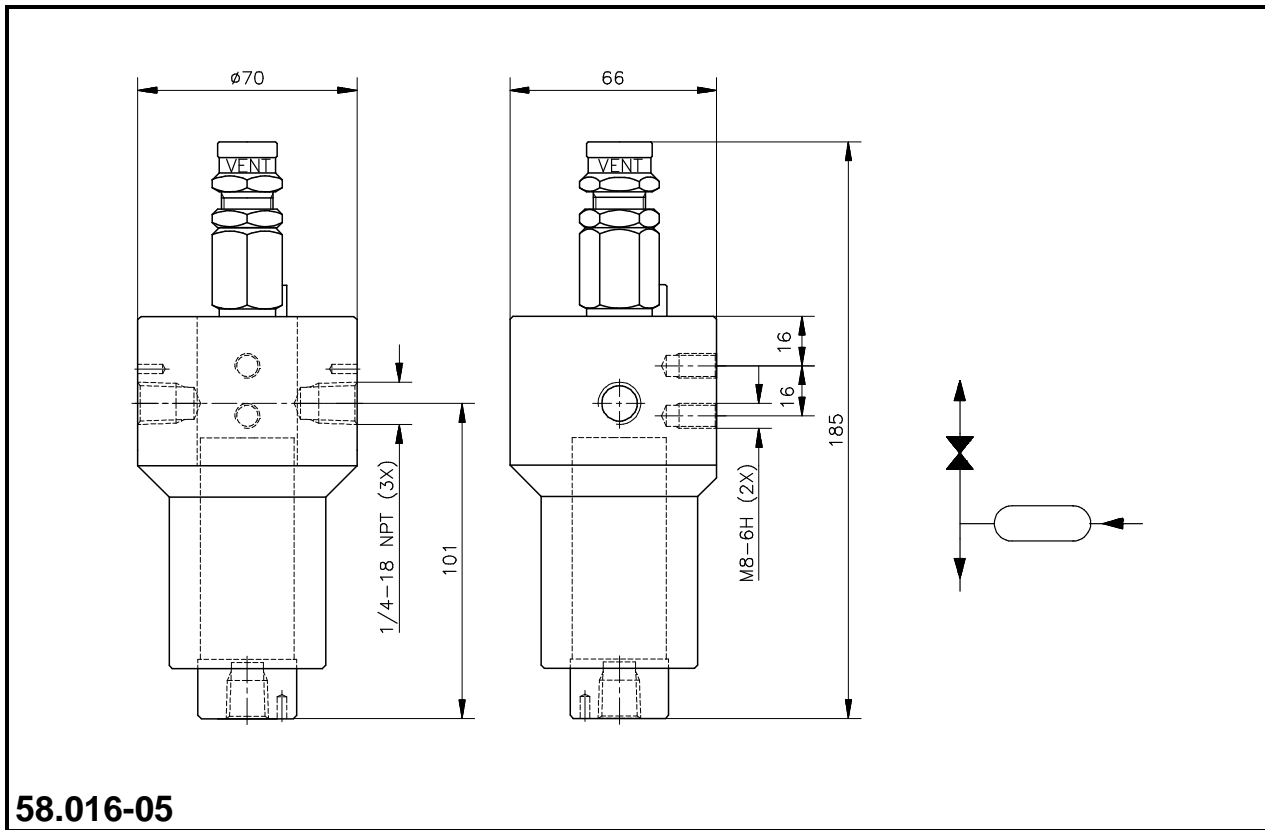
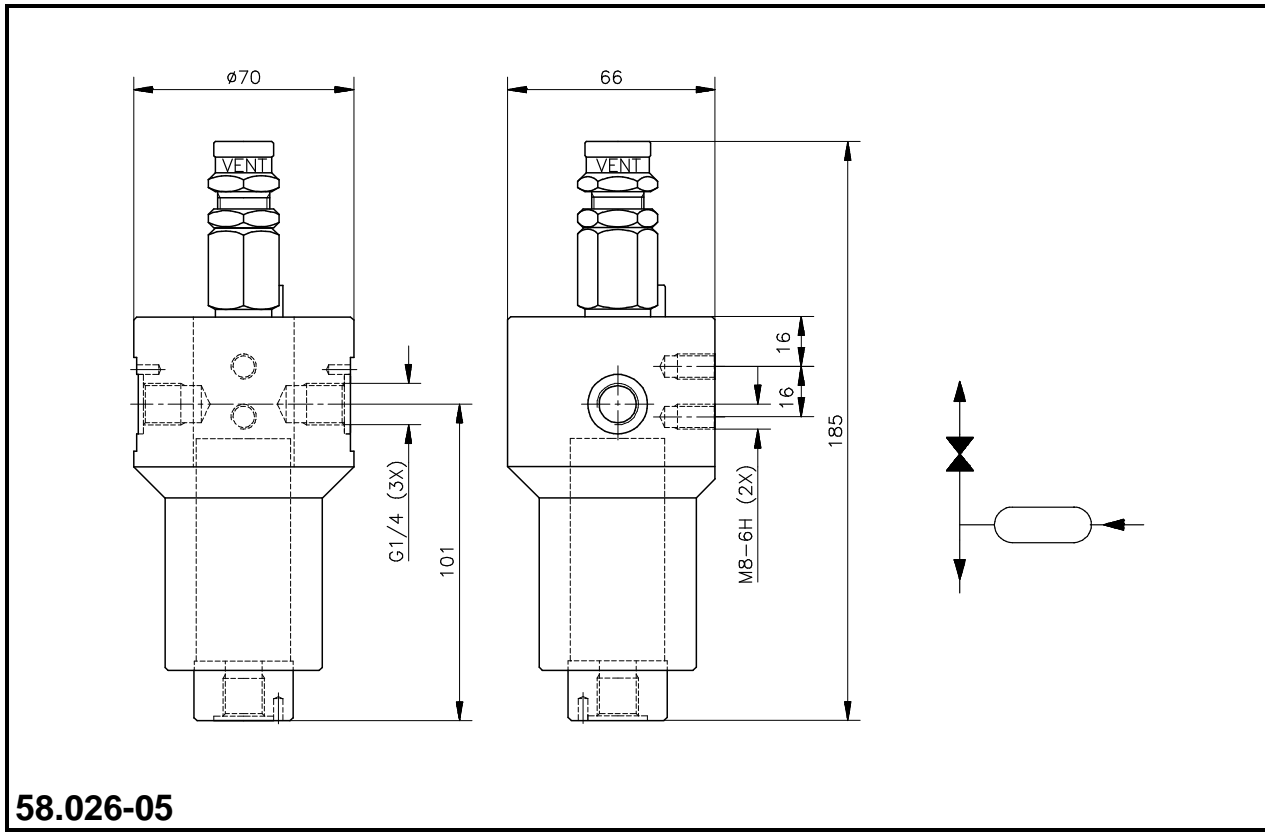
<b>Stem packing</b>	GRAFOIL nuclear quality	GRAFOIL nuclear quality		
<i>Model</i>	58.026-05	58.016-05		
<i>Operating pressure / temperature rating</i>	413 barg 38°C 6000 psig 100°F 200 barg 400°C 3000 psig 750°F	413 barg 38°C 6000 psig 100°F 200 barg 400°C 3000 psig 750°F		

<b>Optional</b>	<b>58.026-05</b>	<b>58.016-05</b>
3/8" O.D. Swagelok® compression fitting	58.026-05/SL38	58.016-05/SL38
10 mm O.D. Swagelok® compression fitting	58.026-05/SL10	58.016-05/SL10
3/8" O.D. Gyrolok® compression fitting	58.026-05/GY38	58.016-05/GY38
10 mm O.D. Gyrolok® compression fitting	58.026-05/GY10	58.016-05/GY10

<b>Extra's</b>	<i>Model</i>
Anti tamper key	59.003

Trademark Hoke Corporation

# Model 58.026/016







# Model Adapters

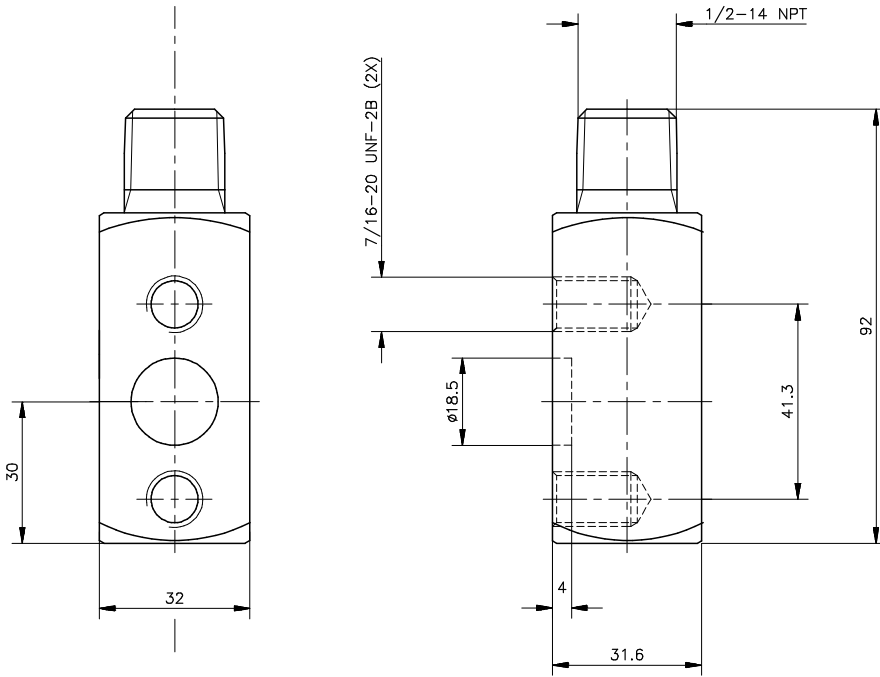


## 59.700

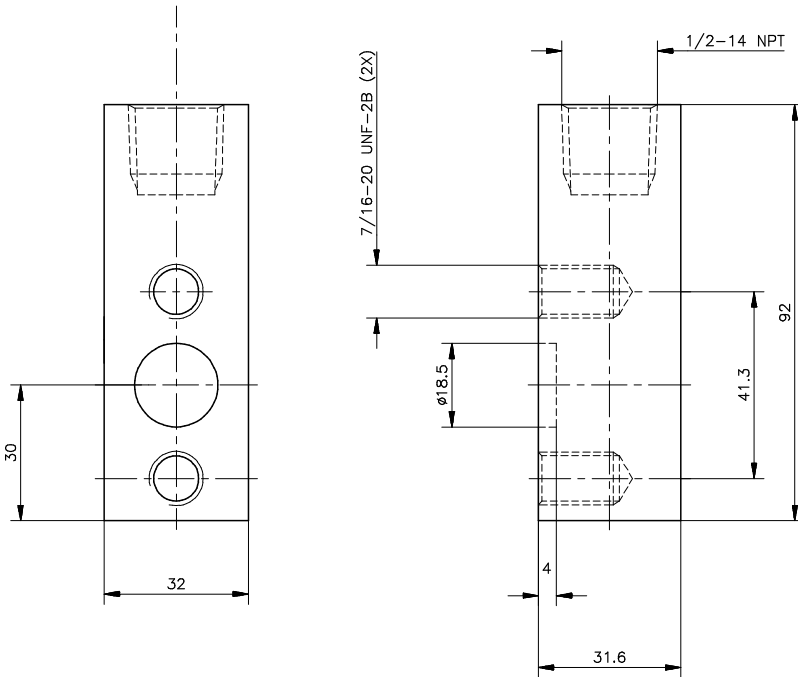
### ADAPTER FEMALE THREAD

<b>Standard materials</b>				
Body		AISI 316 L		
<b>Connection</b>	59.200	59.210	59.300 + 59.400	
Inlet	Flanged DIN 19213	Flanged DIN 19213	Flanged DIN 19213	
Outlet	1/2-14 NPT (M) ANSI / ASME B1.20.1	1/2-14 NPT (F) ANSI / ASME B1.20.1	1/2-14 NPT (M) ANSI / ASME B1.20.1	
<b>Connection</b>	59.600	59.603	59.604	59.700
Inlet	Flanged DIN 19213	Flanged DIN 19213	Flanged DIN 19213	Flanged DIN 19213
Outlet	1/2-14 NPT (F) ANSI / ASME B1.20.1	1.6 mm eccentric 1/2-14 NPT (F) ANSI / ASME B1.20.1	1.6 mm eccentric φ 21.3 x 3.75 mm buttweld	1/4-18 NPT (F) ANSI / ASME B1.20.1
Operating pressure / temperature rating	413 barg 38 °C 6000 psig 100 °F 200 barg 230 °C 3000 psig 450 °F			

# Model Adaptors



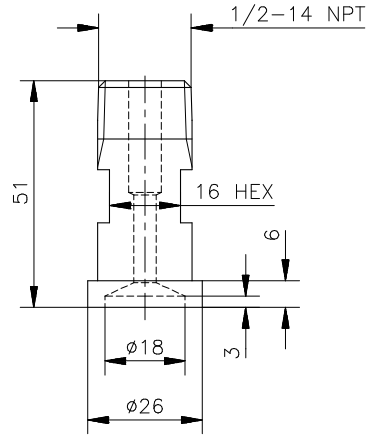
59.200



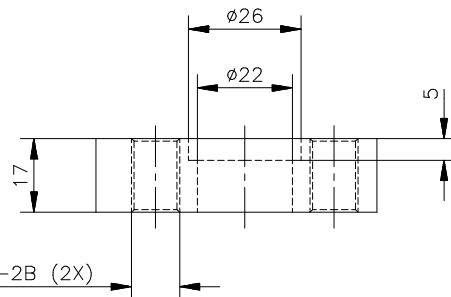
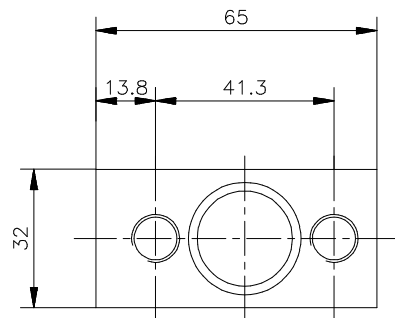
59.210



# Model Adapters

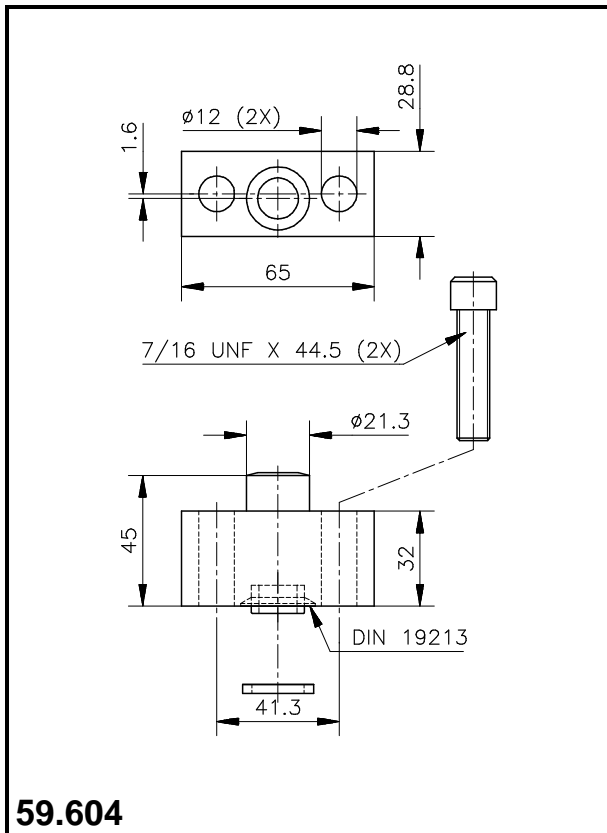
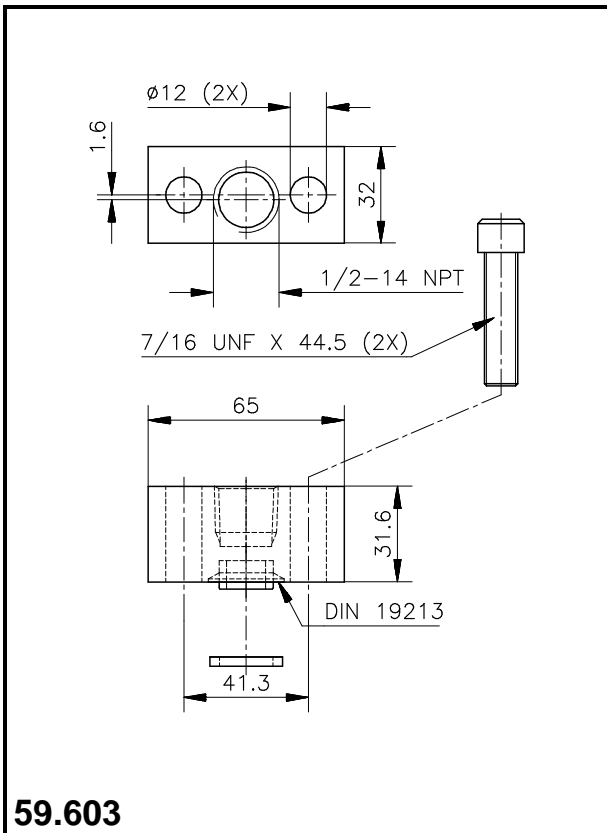
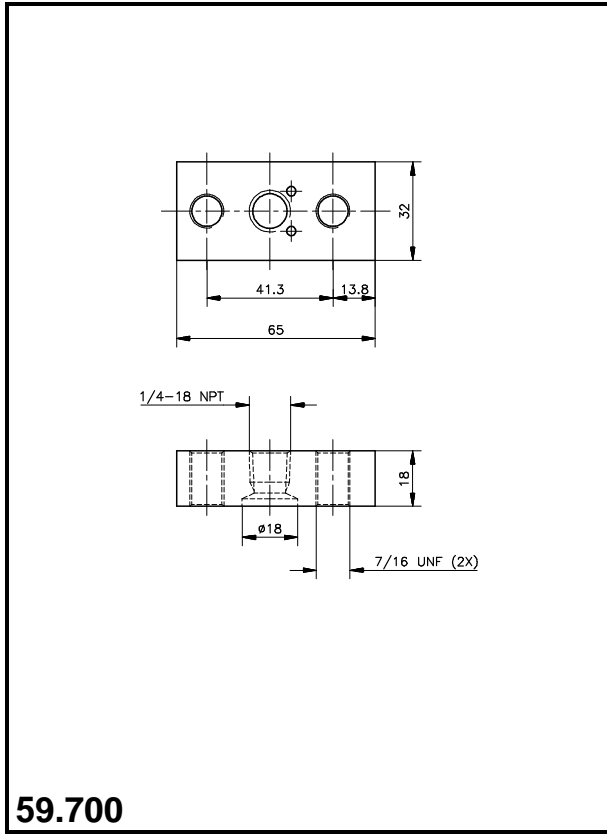
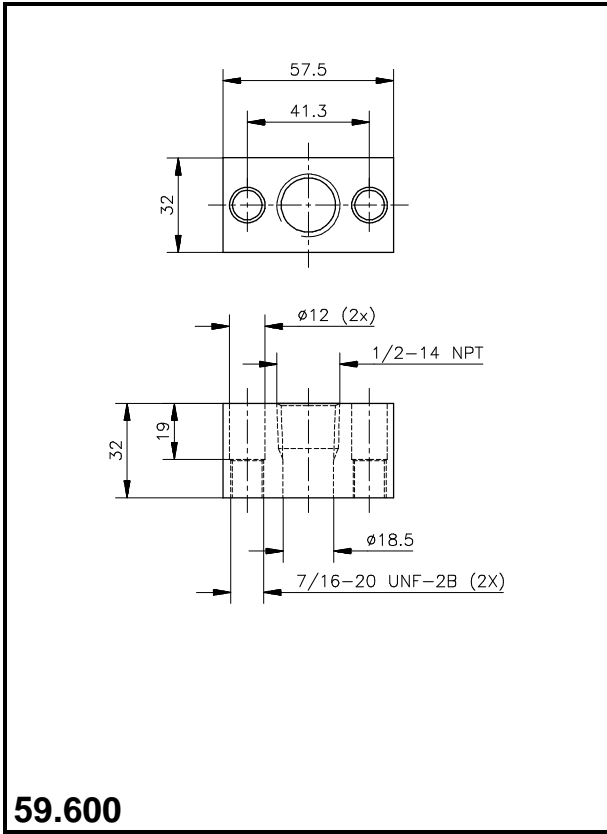


**59.300**



**59.400**

# Model Adaptors





# Model 59.800/900



## 59.900

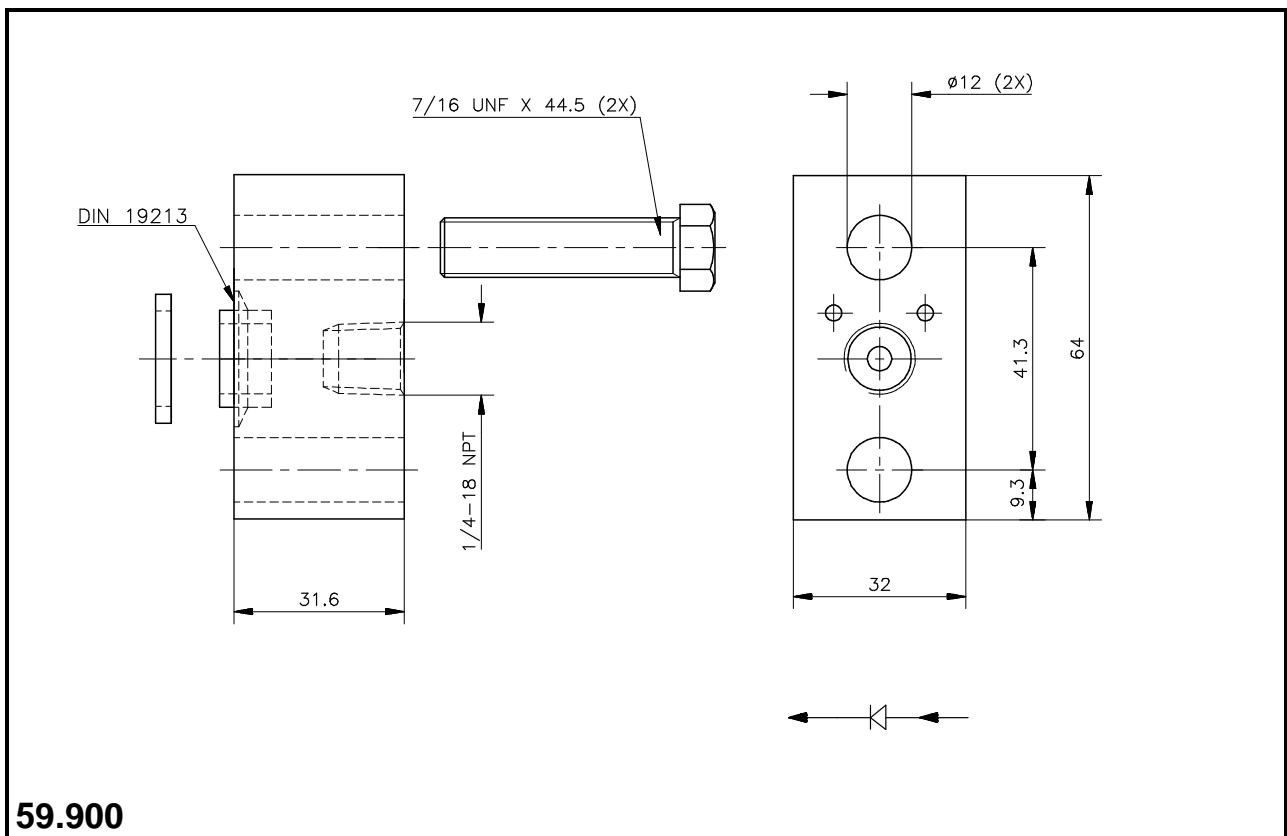
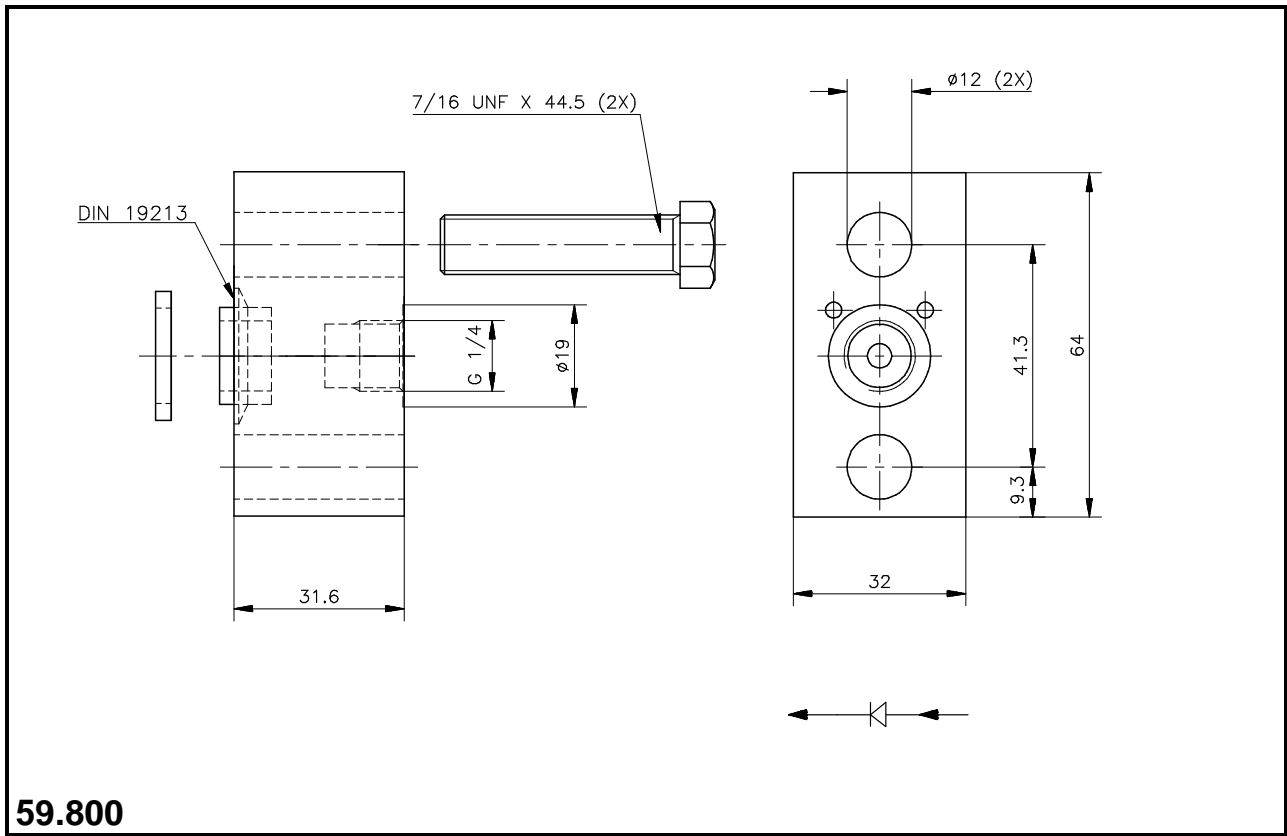
### FILLING FLANGE WITH STRAINER

<b>Standard materials</b>			
Body	AISI 316 L		
<b>Connections</b>			
Inlet	59.800 Flanged DIN 19213	59.900 Flanged DIN 19213	
Outlet	G 1/4 (F) ISO 228/1	1/4-18 NPT (F) ANSI / ASME B1.20.1	
<b>Instrument mounting material</b>			
1 Gasket	PTFE		
2 Bolts 7/16" UNF	AISI 316		
<b>Operating pressure / temperature rating</b>			
Maximum	413 barg 38°C 6000 psig 100°F 200 barg 230°C 300 psig 450°F		

<b>Optional</b>	<b>59.800</b>	<b>59.900</b>
1/4" O.D. Swagelok® compression fitting	59.800/SL14	59.900/SL14
6 mm O.D. Swagelok® compression fitting	59.800/SL06	59.900/SL06
1/4" O.D. Gyrolok® compression fitting	59.800/GY14	59.900/GY14
6 mm O.D. Gyrolok® compression fitting	59.800/GY06	59.900/GY06

Trademark Hoke Corporation

# Model 59.800/900





# Model 60.800/700

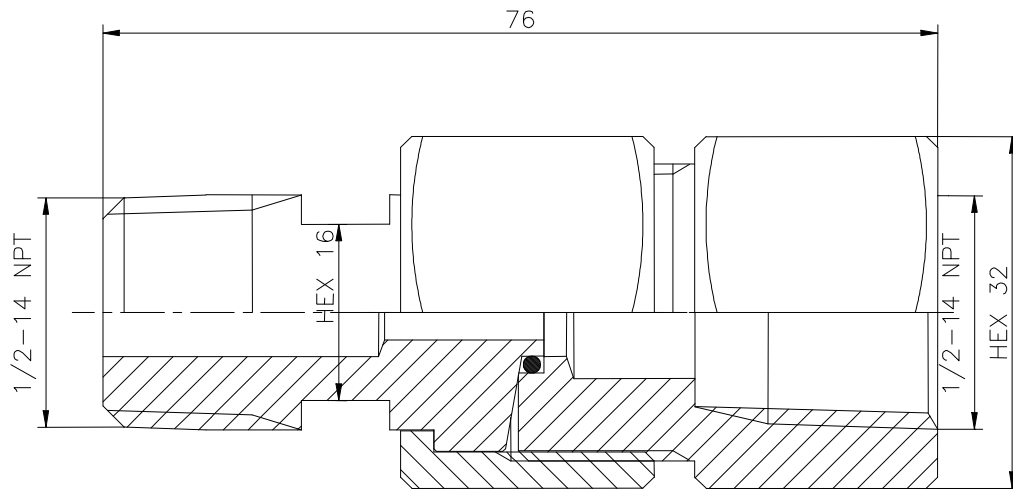


**PICTURE MODEL: 60.700**

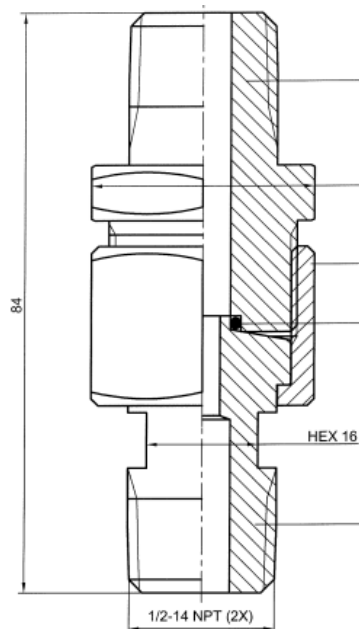
**GAGE CONNECTOR PERMITTING 360° POSITIONING OF PRESSURE GAGE WITH 2-VALVE MANIFOLD**

<b>Standard materials</b>			
Tapered end, Swivel joint, Cap	AISI 316 L		
Seal	VITON O-ring		
<b>Connections</b>	<b>60.800</b>	<b>60.700</b>	<b>60.750</b>
Inlet	Flanged DIN 19213	1/2-14 NPT (M) ANSI / ASME B1.20.1	1/2-14 NPT (M) ANSI / ASME B1.20.1
Outlet	1/2-14 NPT (F) ANSI / ASME B1.20.1	1/2-14 NPT (F) ANSI / ASME B1.20.1	1/2-14 NPT (M) ANSI / ASME B1.20.1
	Standard	<i>Kalrez</i>	
Operating pressure / temperature rating	413 barg 38°C 6000 psig 100°F 200 barg 200°C 3000 psig 450°F		
<b>Optional</b>			
Extended length of 100 mm	xx.xxx/L		
Process connection 3/4" NPT (M)	xx-xxx/34		
Wetted parts Alloy 625	xx.x12		
Wetted parts Duplex 1.4462	xx.x10		
Wetted parts Alloy C-276	xx.xx3		
Wetted parts Alloy C-276 suitable for 1000 bar	xx.xx3 1000 bar		
Wetted parts Alloy 400	xx.xx2		

# Model 60.800/700



60.700

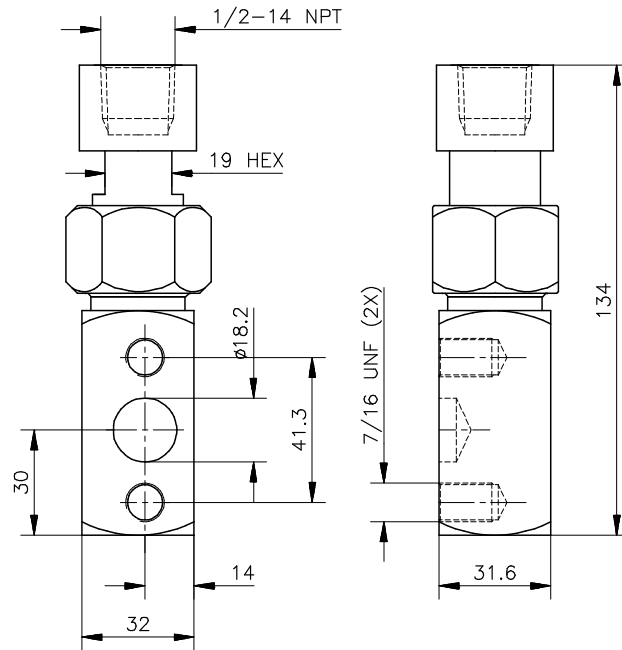


60.750





# Model 60.800/700



60.800



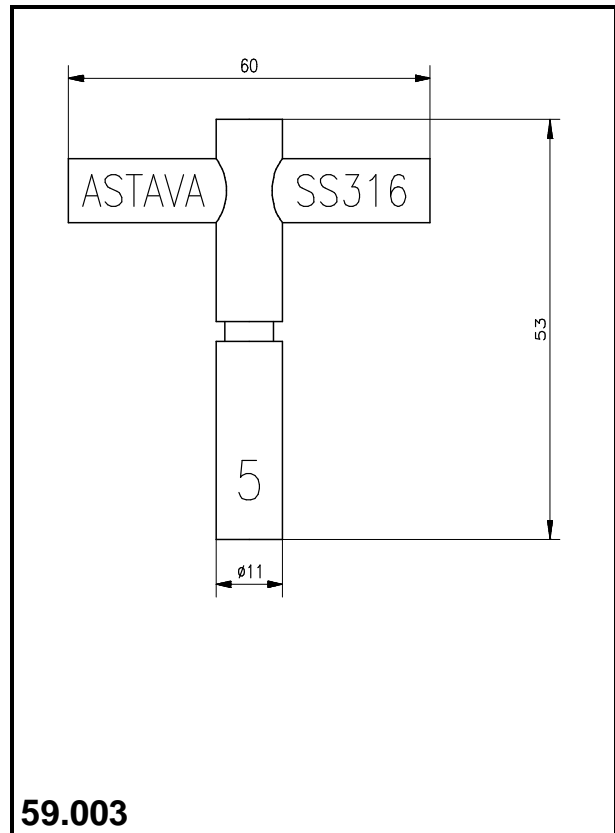
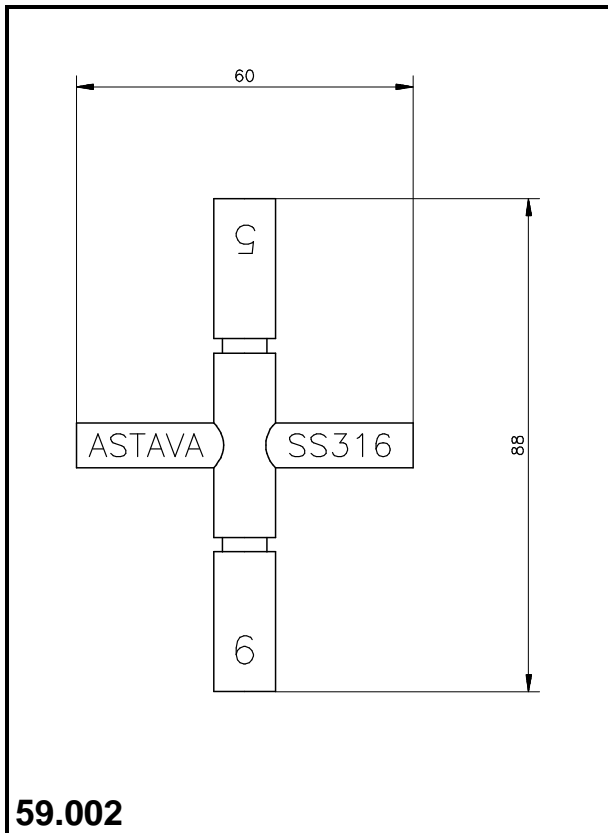
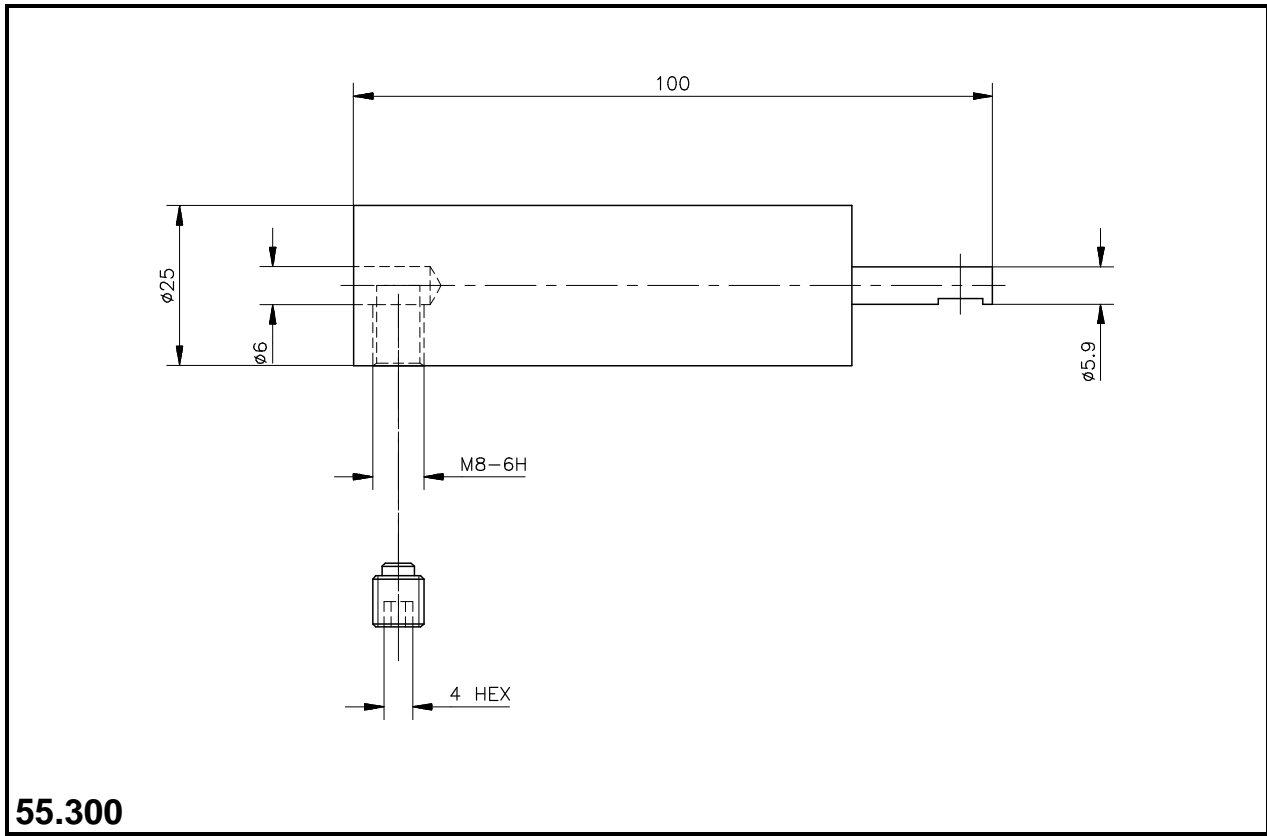
# Miscellaneous



**55.300**  
**STEM EXTENSION**

<b>Standard materials</b>			
Stem extension	AISI 316		
Key	AISI 316 L		
<b>Application</b>			
Model	55.300	59.002	59.003
Description	Stem extension	Double ended key 5 x 6 mm	Key 5 mm
Application	Model -01, -05 and -06	Bleed and test valve	Bleed and test valve

# Miscellaneous





# Model 904/905



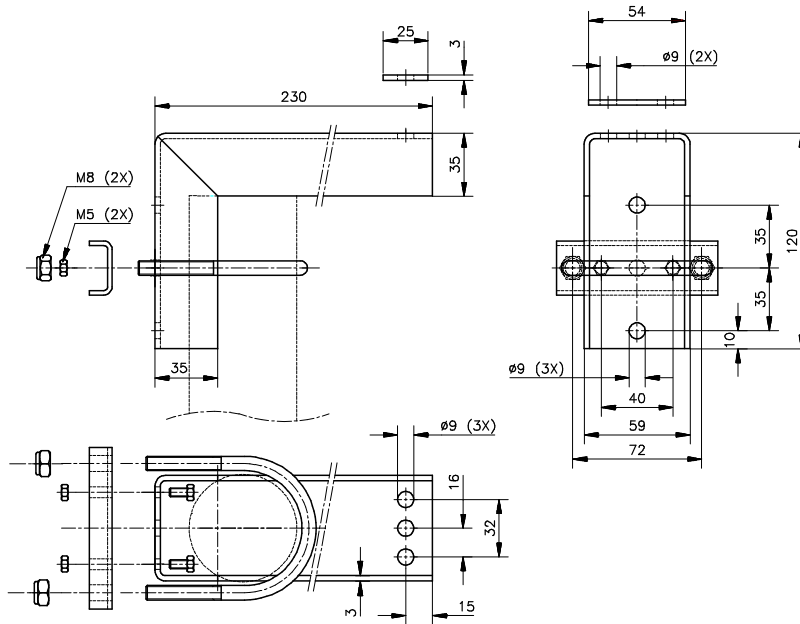
## 904/P with 502-06

L-SHAPED MOUNTING BRACKET FOR MOUNTING ON 2" STANDPIPE WITH 5-VALVE MANIFOLD

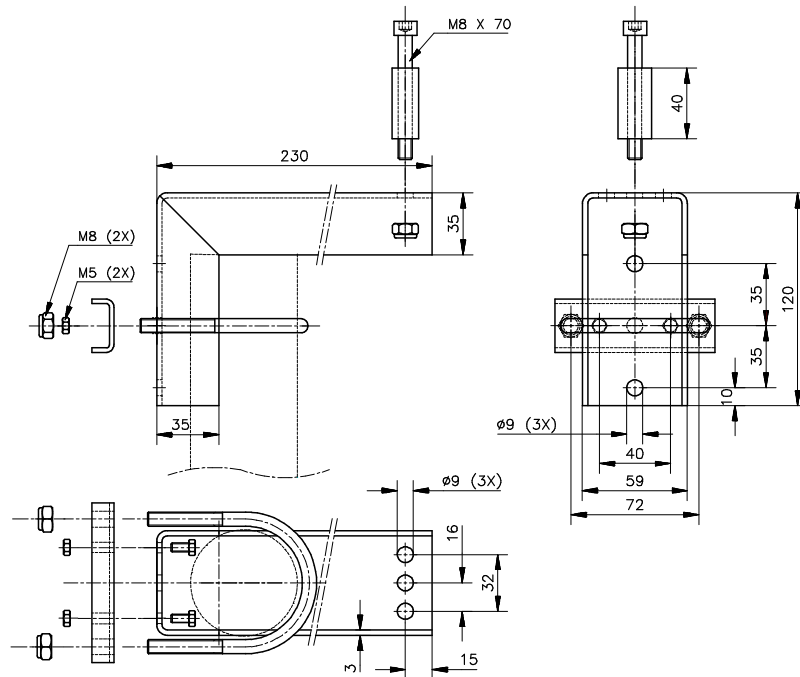
<b>Standard materials</b>		
U-type brackets		AISI 316
Tie-rods		AISI 316
Bolts, Adaptor, Plate		AISI 316
Nuts		AISI 316
Screws		AISI 316
<b>Remark(s)</b>		
Model	904 (/P)	905 (/P)
Suitable for ASTAVA manifold*	113, 207, 213, 243, 301, 306, 329, 343, 344, 349, 501, 502, 508, 509, 512, 529, 542, 543, 544, 113/B, 207/B, 213/B, 329/B, 349/B, 502/B and 529/B	302 and 303

\*For use with other Astava models than mentioned above attention needs to given to the dimensions centre-to-centre and the size of holes in as well bracket as body of the manifold

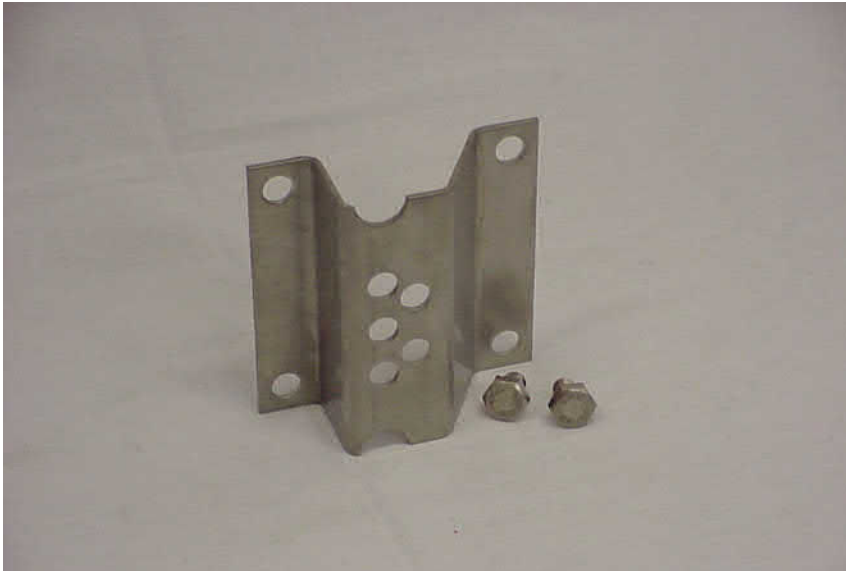
# Model 904/905



904



905



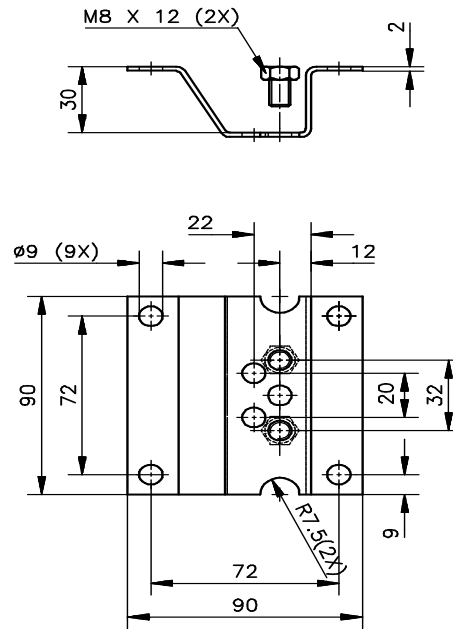
## 906

### MOUNTING BRACKET

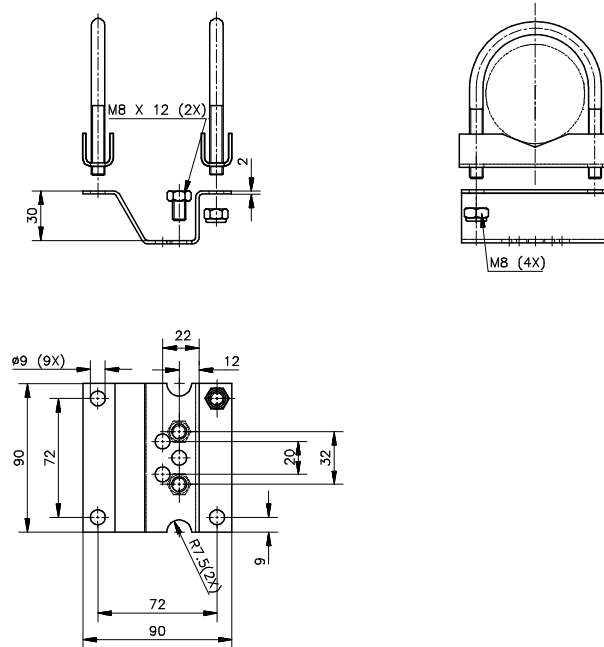
<b>Standard materials</b>	
U-type brackets	AISI 316
Tie-rods	AISI 316
Bolts, Plate	AISI 316
Nuts	AISI 316
Screws	AISI 316

<b>Remark(s)</b>		
Model	906	906/P
Suitable for ASTAVA manifold	113, 205, 207, 208, 213, 243, 301, 306, 329, 343, 344, 349, 501, 502, 508, 509, 512, 529, 542, 543, 544, 113/B, 207/B, 213/B, 329/B, 349/B, 502/B and 529/B	113, 205, 207, 208, 213, 243, 301, 306, 329, 343, 344, 349, 501, 502, 508, 509, 512, 529, 542, 543, 544, 113/B, 207/B, 213/B 329/B, 349/B, 502/B and 529/B

# Model 906



906



906/P