

1130 Differential Pressure Gauge

FEATURES

- High static pressure capability (up to 6,000 psi)
- Ranges from 5 psi to 150 psi
- Reed switches optional for direct system control
- Superior magnets for smoother pointer motion
- Buna-N O-rings (others available)
- Piston actuator
- Dry or liquid filled case

TYPICAL USES

- Filtration monitoring
- Hydraulics
- Flow rate
- Pump performance
- Measuring Pressure Drop



1130
2", 2½", 3½", 4", 4½", 6" dial sizes

SPECIFICATIONS

Accuracy: ±2% ascending pressure full scale differential

Sizes: 2", 2 ½", 3 ½", 4", 4 ½", 6"

Ranges: 0-5 psi to 150 psi

Process Connection Location: Lower, back, in-line

Process Connection Size: ¼ NPT Female (STD.), ⅛ NPT or ½ NPT Female Adapters (OPT.)

Migration: Minor migration of process media

Weather Protection: IP65

Maximum Process Temperature: 175°F (80°C)

Maximum Static Pressure: 3,000 psi (6,000 psi for Stainless steel)

WETTED COMPONENTS

Actuator	O-Rings/Diaphragm	Body Material
Piston	Buna-N	Aluminum, brass or stainless steel

Ceramic magnet & SS spring are also wetted components

NON-WETTED COMPONENTS

Case Material	Window
Stainless steel	Glass (STD.), safety glass or plastic (OPT.)

KEY BENEFITS

- Recommended for high differential and high static pressure
- Low Cost
- Stainless steel Case
- Switch outputs available
- 5 year warranty

RATINGS FOR STANDARD REED SWITCHES

Switches	Contact Rating	Current	Voltage
SPST	10 VA ac (rms) or dc (Max.)	0.5 Amp ac (rms) or dc (Max.)	100 Vac/Vdc (Max.)
SPDT	3 VA ac (rms) or dc (Max.)	0.3 AMP ac (rms) or dc (Max.)	30 Vac/Vdc (Max.)

1130 Differential Pressure Gauge

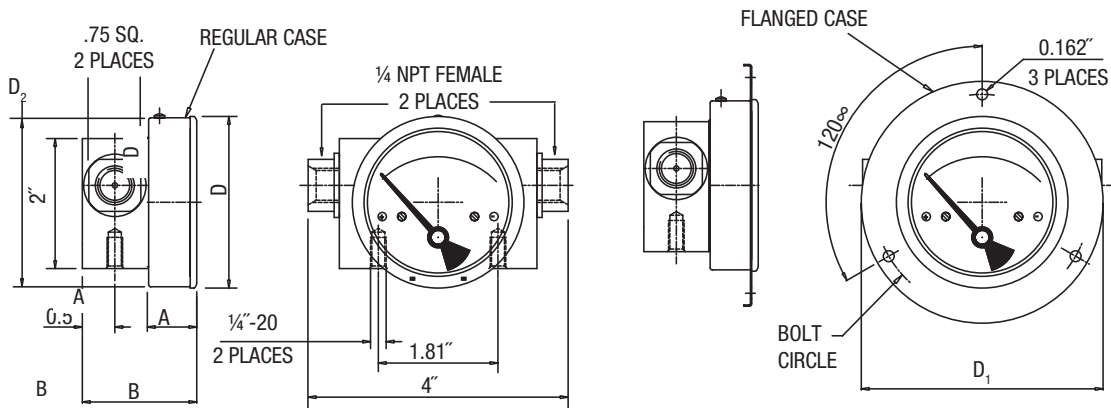
ORDERING CODE	Example:	20	1130	A	D	25	S	XV1	5#
Size									
20 - 2"		20							
25 - 2½"									
35 - 3½"									
40 - 4"									
45 - 4½"									
60 - 6"									
Series									
1130 - Piston Actuated			1130						
Body Material									
A - Brass				A					
F - Aluminum									
S - Stainless steel									
Case Fill									
D - Dry					D				
L - Glycerin fill (Liquid fill has an effect on accuracy that varies with range and temperature.)									
Process Connection Size									
25 - ¼ NPT Female						25			
Process Connection Location									
S - In-Line							S		
L - Lower									
B - Back									
Options (If choosing an option(s) must include an "X")									
BF - Surface mounting plate								X	
CS - Dual scale									
DD - Color band (any combination of green, yellow, red)									
GE - ⅙ NPT Female adapters									
GM - ½ NPT Female adapters									
EP - Maximum pointer (N/A on 2" case)									
FF - Front flange									
VD - Viton® O-rings									
EM - EPDM O-rings									
GV - Silicone fill (Silicone liquid fill is recommended for outside applications even though unit is hermetically sealed.)									
PD - Plastic window									
RP - Reverse porting									
SG - Safety glass (N/A on 2" or 2½" case)									
TM - Pipe mounting bracket (In-line only)									
V1 - 1-SPST switch w/DIN plug (N/A with back connection) (Adj. 20-100% of range, Preset @ 90%)									V1
V2 - 1-SPST switch w/terminal strip (N/A with back connection) (Adj. 20-100% of range, Preset @ 90%)									
V3 - 2-SPST switch w/DIN plug (N/A with back connection) (Adj. 20-100% of range, Preset @ 90%)									
V4 - 2-SPST switch w/terminal strip (N/A with back connection) (Adj. 20-100% of range, Preset @ 90%)									
V5 - 1-SPDT switch w/DIN plug (N/A with back connection) (Adj. 20-100% of range, Preset @ 90%)									
V6 - 1-SPDT switch w/terminal strip (N/A with back connection) (Adj. 20-100% of range, Preset @ 90%)									
V7 - 2-SPDT switch w/DIN plug (N/A with back connection) (Adj. 20-100% of range, Preset @ 90%)									
V8 - 2-SPDT switch w/terminal strip (N/A with back connection) (Adj. 20-100% of range, Preset @ 90%)									
Range (coding examples only, see range table on page 3 for all standard ranges.)									
5# - 5 psi									5#

1130 Differential Pressure Gauge

1130- Single Scale			
psid	kg/cm ²	bar	kPa
-	0.25KSC	0.25BR	25KPa
5#	-	-	-
8#	0.5KSC	0.5BR	50KPa
10#	0.75KSC	0.75BR	75KPa
15#	1KSC	1BR	100KPa
20#	-	-	-
25#	1.6KSC	1.6BR	160KPa
30#	2KSC	2BR	200KPa
-	2.5KSC	2.5BR	250KPa
40#	3KSC	3BR	300KPa
50#	-	-	-
60#	4KSC	4BR	400KPa
-	5KSC	5BR	500KPa
80#	-	-	-
-	6KSC	6BR	600KPa
100#	7KSC	7BR	700KPa
-	9KSC	9BR	900KPa
150#	10KSC	10BR	1,000KPa

DIMENSIONS

For reference only, consult Ashcroft for specific dimensional drawings.



Dial Size	Dimensions					
Inches	A	B	D	D ₁	D ₂	Bolt Circle
2"	0.70"	1.70"	2.08"	3.11"	2.04"	2.72"
2.5"	0.75"	1.75"	2.59"	3.66"	2.55"	3.26"
3.5"	0.75"	1.75"	3.26"	4.29"	3.22"	3.86"
4"	0.75"	1.75"	4.10"	5.15"	4.01"	4.76"
4.5"	0.75"	1.75"	4.71"	5.74"	4.60"	5.35"
6"	0.75"	1.75"	6.07"	7.12"	6.00"	6.73"