

FINE CONTROLS (UK) LTD



Fine Controls have been supplying process controls & instrumentation equipment since 1994, & now serves an ever expanding customer base, both in the UK & globally.

We offer a full range of valve & instrumentation products & services, with our product range representing leading technologies & brands:

Flow: Flow Meters & Transmitters, Flow Switches, Flow Control Valves & Batch Control Systems

Temperature: Temperature Probes & Thermowells, Temperature transmitters, Temperature Regulators & Temperature Displays

Level: Level Transmitters & Switches

Pressure: Pressure Gauges & Transmitters, Precision & High Pressure Regulators & I-P Converters, Volume boosters.

Precision Pneumatics: Pressure Regulators, I-P Converters, Volume Boosters, Vacuum Regulators

Valves: Solenoid & Pneumatic Valves, Control Valves & Positioners, Actuated Ball, Globe or Diaphragm Valves & Isolation Valves

Services: Repair, Calibration, Panel Build, System Design & Commissioning

A rotork® Brand
FAIRCHILD



bürkert



SIEMENS



alcon
SOLENOID VALVES

A rotork® Brand



MIDLAND-ACS
A rotork® Brand



Honeywell



Bourdon
Baumer Group



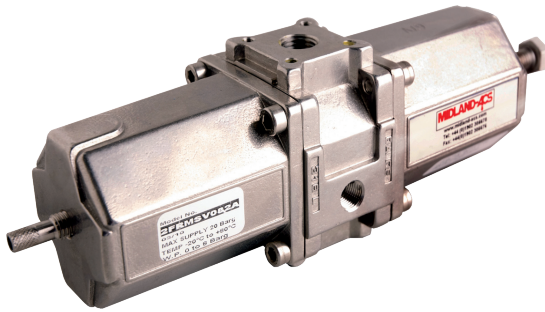
SOLDO
CONTROLS

A rotork® Brand



Fine Controls (UK) LTD, Bassendale Road, Croft Business Park,
Bromborough, Wirral, CH62 3QL UK
Tel: 0151 343 9966
Email: sales@finecontrols.com

3550 SERIES AIR SERVICE UNITS FILTER REGULATORS



- Specifically designed for Severe Offshore Environments
- Non or Self-relieving
- Manual or auto-drain
- 40 Micron element
- Easy Installation, Repair and Replacement
- Ambient Temperature Range -20°C to +80°C
(Low temperature version -50°C)
- 316 Stainless Steel Construction
- Large flow paths minimise pressure drop

General Description

A 316 Stainless Steel combined unit for filtration and regulation of compressed air in the offshore and allied industries.

Regulated Pressure

0.50	to	2 bar	(7.2	to	29psi)
0.50	to	4 bar	(7.2	to	58psi)
0.50	to	8 bar	(7.2	to	116psi)
0.50	to	12 bar	(7.2	to	174psi)

Units ordered with a specified pressure range will be supplier complete with a pilot regulator piped using double ferrule fittings

Ports NPT (BSP option available)

- 1/4", 1/2", 3/4", 3/8"

Gauge Ports (BSP option available)

- 1/8" NPT
- 1/4" NPT (option available)

Relief Vent Port

- 1/8" NPT (Fitted with bug screen)

Ingress Protection

- IP65 when fitted with optional vent port filter

Flow Rate

SIZE	Cv	Kv
1/4"	2.4	34
1/2"	4.4	63
3/4"	5.0	71
3/8"	5.3	47

Ambient Temperature Range

- Standard: -20°C to +80°C (-4°F to +176°F)
- Low Temp: -50°C (-58°F) (optional)

Maximum Relief Flow

- At 2 bar (29psi) secondary pressure
0.5cc/sec (0.03 cu in/sec)

Maximum Inlet Pressure

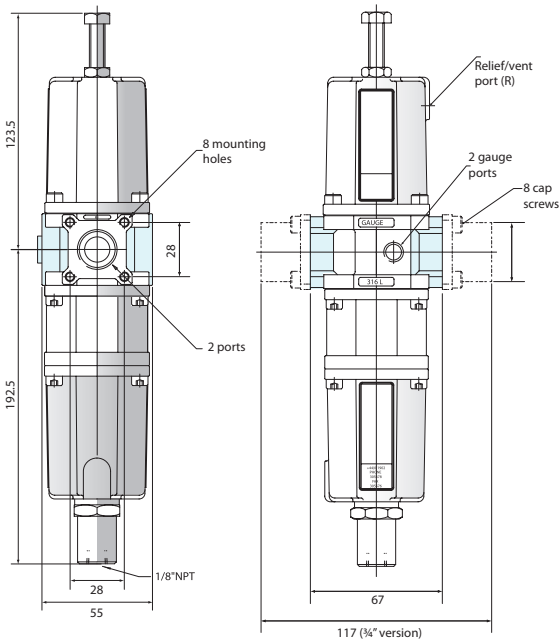
- Manual drain - 20 bar (290 psi)
- Automatic drain - 17 bar (247 psi)

Bowl Retention Capacity

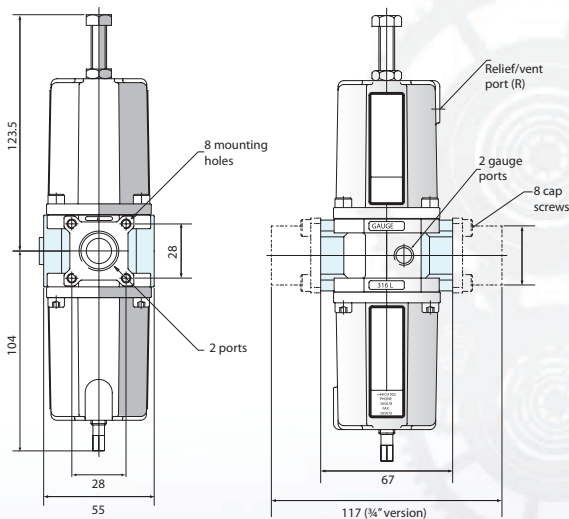
- 21cc (1.28 cu ins)

3550 SERIES AIR SERVICE UNITS FILTER REGULATORS

Filter Regulator with Automatic Drain



Filter Regulator with Manual Drain



Operating Medium

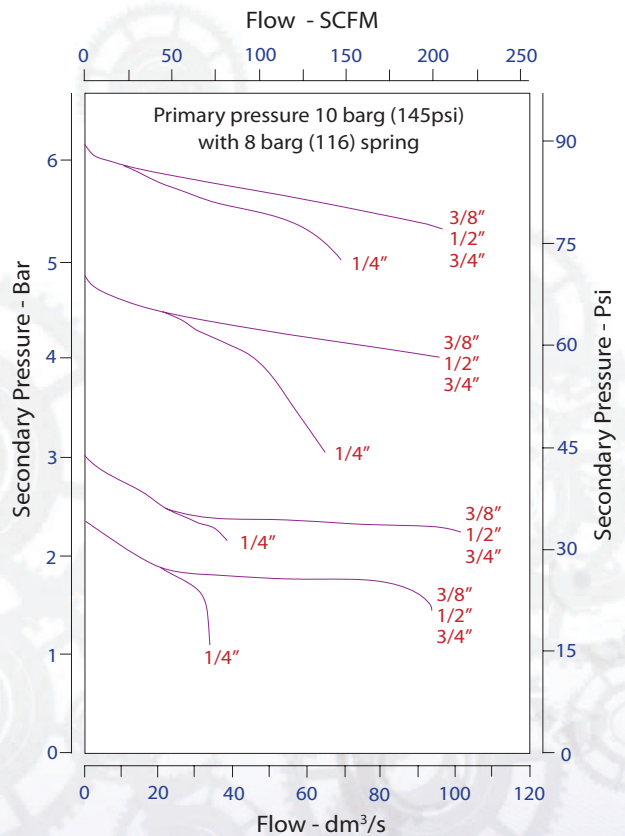
- Gases - air, inert gas, sweet (natural) and sour gases.

Weight

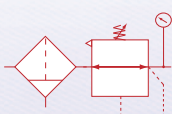
- 1.75 kg (1/4", 1/2" manual drain)
- 2.05 kg (1/4", 1/2" automatic drain)
- 1.95 kg (3/4" manual drain)
- 2.25 kg (3/4" automatic drain)

Construction Materials

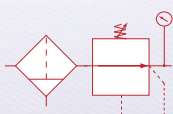
- Body/bonnet/bowl and internals: 316 Stainless Steel
- Element: 40 Micron 316 Stainless Steel (5 micron option)
- Seals: Fluoroelastomer



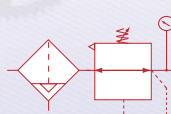
Self Relieving with manual drain



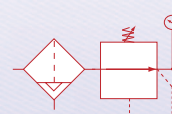
Non-Relieving with manual drain



Self Relieving with automatic drain



Non-Relieving with automatic drain



3550 SERIES AIR SERVICE UNITS FILTERS



- *Specifically designed for Severe Offshore Environments*
- *Rolling diaphragm design*
- *Precision adjustment*
- *Easy Installation, Repair and Replacement*
- *Ambient Temperature Range -20°C to +60°C*
(Low temperature version -50°C)
- *316 Stainless Steel Construction*
- *Large flow paths minimise pressure drop*

General Description

A 316 Stainless Steel compressed air filter, designed to provide clean air for offshore and allied industries.

Ambient temperature range

- Standard: -20°C to +80°C (-4°F to +176°F)
- Low Temp: -50°C (-58°F) (optional)

Working Pressure

- Manual drain 20 bar (290psi)
- Automatic drain 17 bar (247psi)

Bowl Retention Capacity

- 21cc (1.28 cu ins)

Operating Medium

- Gases - air, inert gas, sweet (natural) and sour gases.

Ports NPT (BSP option available)

- 1/4", 1/2", 3/4"

Gauge Ports (BSP option available)

- 1/8" NPT
- 1/4" NPT (option available)

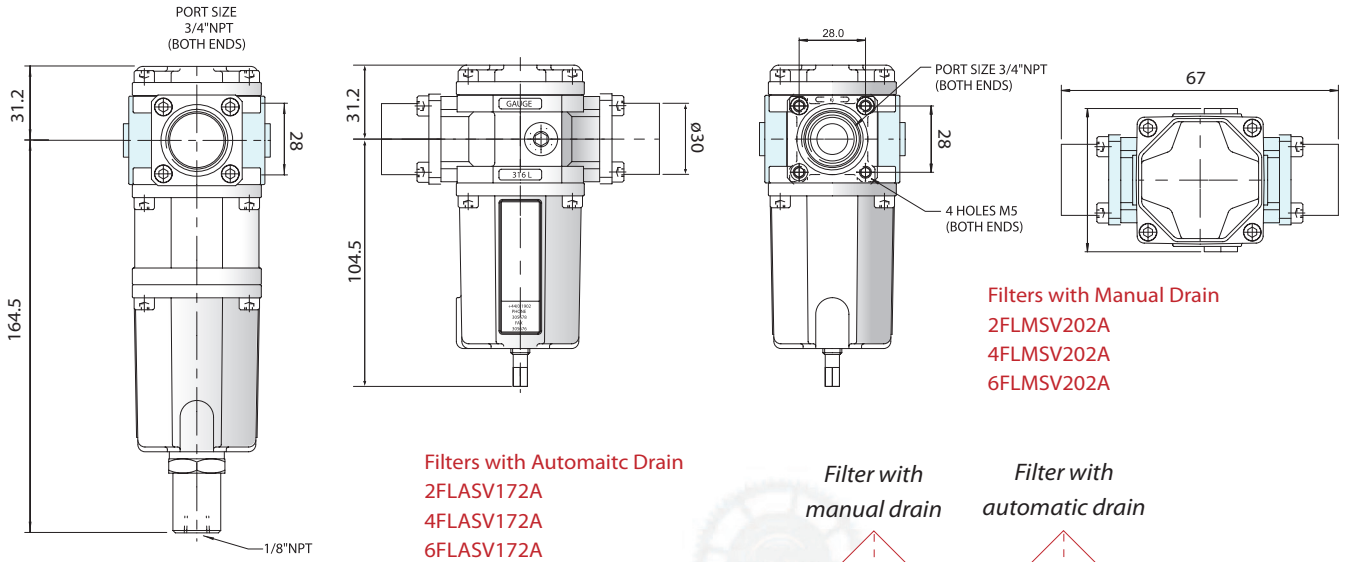
Automatic Drain Port

- 1/8" NPT

Construction Materials

- Body/bonnet/bowl and internals: 316 Stainless Steel
- Element: 40 Micron 316 Stainless Steel (5 micron option)
- Seals: Fluoroelastomer

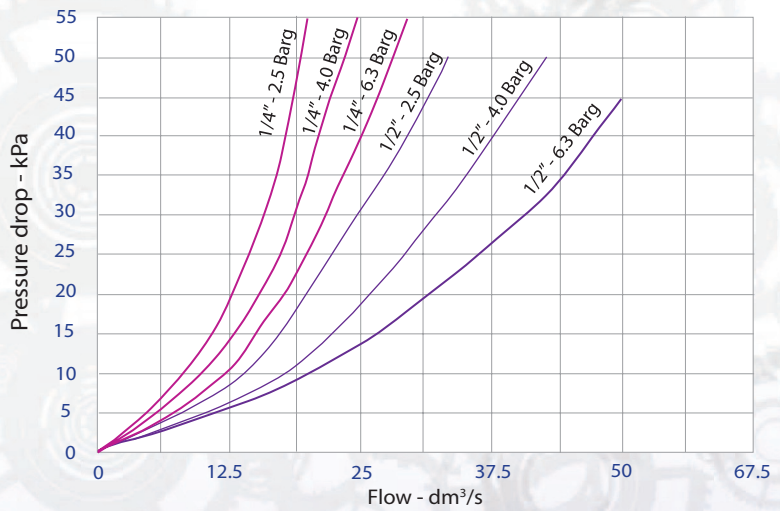
3550 SERIES AIR SERVICE UNITS FILTERS



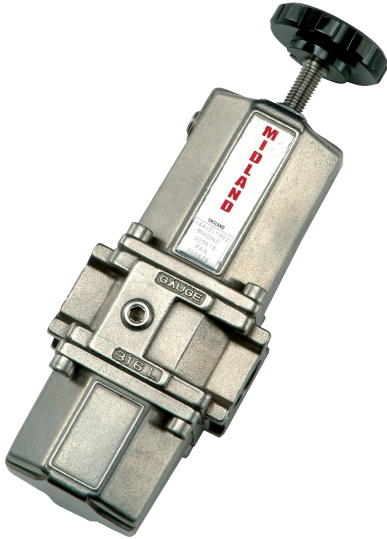
Weight

- 1.3 kg (1/4", 1/2" manual drain)
- 1.6 kg (1/4", 1/2" automatic drain)
- 1.5 kg (3/4" manual drain)
- 1.8 kg (3/4" automatic drain)

Air flow for 1/4" & 1/2" Filter



3550 SERIES AIR SERVICE UNITS PRESSURE REGULATORS



- Specifically designed for Severe Offshore Environments
- Non or Self-relieving
- Easy Installation, Repair and Replacement
- High relief flow
- Rolling diaphragm design
- Precision adjustment.
- Ambient Temperature Range -20°C to +80°C
(Low temperature version -50°C)
- 316 Stainless Steel Construction
- Large flow characteristics

General Description

A 316 Stainless Steel unit for the pressure regulation of compressed air for offshore and allied industries.

Regulated Pressure

0.50	to	2 bar	(7.2	to	29psi)
0.50	to	4 bar	(7.2	to	58psi)
0.50	to	8 bar	(7.2	to	116psi)
0.50	to	12 bar	(7.2	to	174psi)

Units ordered with a specified pressure range will be supplied complete with a pilot regulator piped using double ferrule fittings

Ambient Temperature Range

- Standard: -20°C to +80°C (-4°F to +176°F)
- Low Temp: -50°C (-58°F) (optional)

Maximum Relief Flow

- At 2 bar (29psi) secondary pressure
0.5cc/sec (0.03 cu in/sec)

Maximum Inlet Pressure

- 20 bar (290 psi)

Ingress Protection

- IP65 when fitted with optional vent port filter

Maximum Flow

10 bar (145 psi) inlet pressure, 6 bar (87 psi) secondary pressure with 1 bar (14.5 psi) pressure drop

- 1/4" - 3720 L/min (130 SCFM)
- 1/2" - 6000 L/min (212 SCFM)

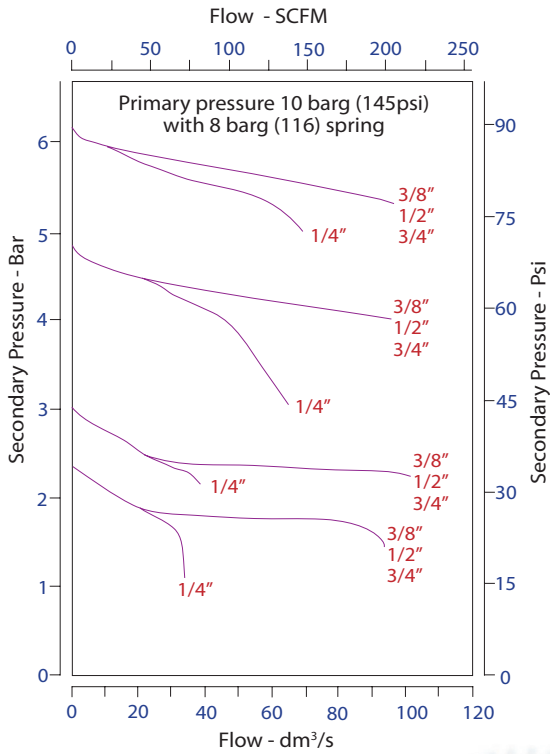
Gauge Ports (BSP option available)

- 1/8" NPT
- 1/4" NPT (option available)

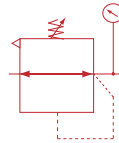
Cv

SIZE	Cv	Kv
1/4"	2.4	34
3/8"	5.3	47

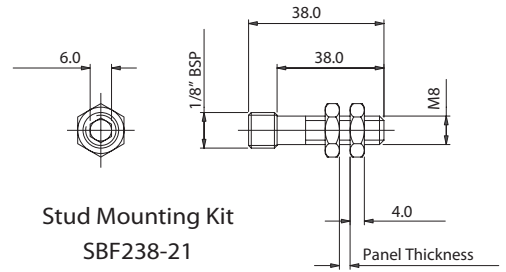
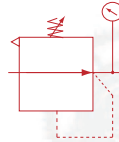
3550 SERIES AIR SERVICE UNITS PRESSURE REGULATORS



Self-reliving



Non-reliving



Stud Mounting Kit
SBF238-21

Ports NPT (BSP option available)

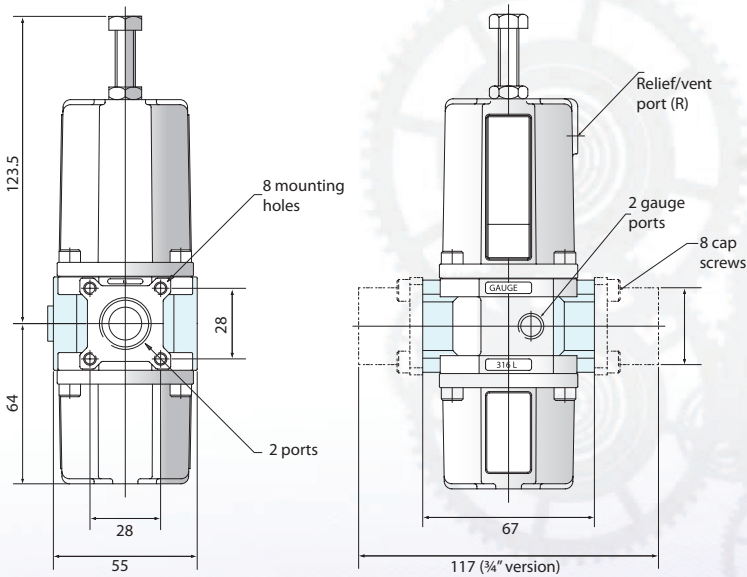
- 1/4", 3/8", 1/2", 3/4"

Relief Vent Port

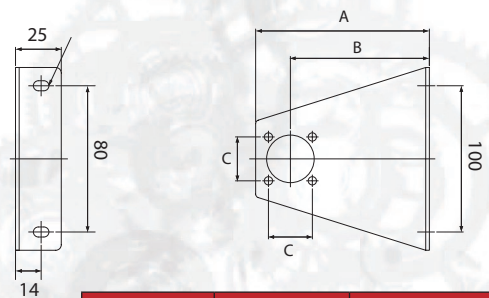
- 1/8" NPT (Fitted with bug screen)

Weight

- 1.60 kg (3/8", 1/2", 1/4" versions)
- 1.80 kg (3/4" version)



Mounting Bracket Kit



A	B	C
79	60	24
95	76	24
95	96	28