

Pump SC SERIES

TRUSTED PERFORMANCE
For medium sized residential pools



1. 1.5 inch suction and discharge ports
2. Asynchronous, two-pole motor
3. Class insulation: 130(B)
4. IPX5 Waterproof standard
5. Built-in thermal protection
6. Overload protection
7. External heat sink
8. Available in 50Hz or 60Hz for 220V/110
9. Specially designed unions compatible for both Imperial and Metric standards
10. Self-Priming up to 2m above water level
11. Testing Pressure (50PSI / 3.5Bar)
12. 316 stainless steel shaft
13. 316 stainless steel mechanical seal
14. Basket volume 2.5 litres

 **Emaux**
water technology

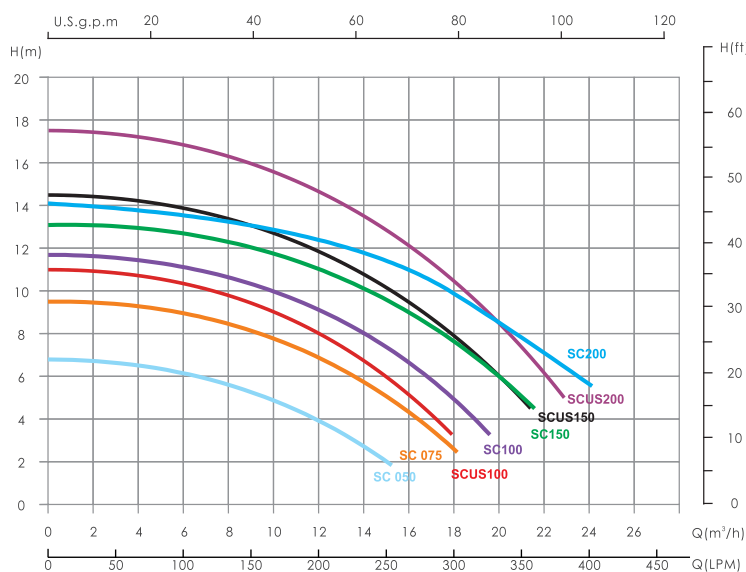
Pool & Spa Equipment



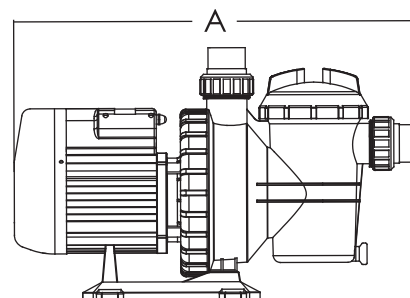
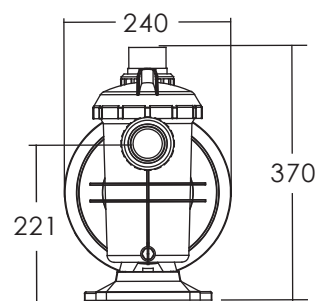
www.emauxgroup.com

SC SERIES PUMP

Technical Information:



Note: The performance curve above is for 50Hz models



Product Information and Dimensions:

Model 50Hz	Input (kW)	Current (AMP)	Noise (dB)	Head (m)					
				4	6	8	10	12	14
SC050	0.51	2.5	60	12	6.8	--	--	--	--
SC075	0.75	3.5	68	16.4	13.8	9	--	--	--
SC100	0.97	4.7	70	19	17	14	10	--	--
SC150	1.30	5.9	70	22	20	17.2	14	--	--
SC200	1.71	8.2	73	26	23.2	21	18	--	--
SCUS100	0.97	4.2/8.4	70	17	15	12	7	--	--
SCUS150	1.40	6.2/12.4	70	--	20	18	15	11.8	5
SCUS200	1.80	8.0/16.0	73	--	22	20.8	18.6	16	13

Code 220V/50Hz	Code 220V/60Hz	Code 230V/115V/60Hz	Model	Connection Size	Horsepower	Weight(kg)	Capacitance 220V	Capacitance 110V	Capacitance 110V/230V	A mm
88021703	88021803	/	SC050	1.5" / 50mm	0.5hp	10.4	14μF	40μF	/	600
88021704	88021804	/	SC075	1.5" / 50mm	0.75hp	12.1	20μF	60μF	/	600
88021705	88021805	/	SC100	1.5" / 50mm	1.0hp	13.4	25μF	90μF	/	600
88021707	88021807	/	SC150	1.5" / 50mm	1.5hp	14.9	25μF	90μF	/	600
88021708	88021808	/	SC200	1.5" / 50mm	2.0hp	15.4	30μF	90μF	/	600
/	/	88020605	SCUS100	1.5" / 50mm	1.0hp	15	/	/	90μF	610
/	/	88020607	SCUS150	1.5" / 50mm	1.5hp	16	/	/	90μF	610
/	/	88020608	SCUS200	1.5" / 50mm	2.0hp	17.5	/	/	100μF	610

Note: SCUS100, SCUS150, SCUS200 are for US market only

EMAUX WATER TECHNOLOGY CO., LTD

ADDRESS: Flat A-D, 20/F., Kai Bo 22, 22 Wing Kin Road, Kwai Chung, Hong Kong

PHONE +852 2832 9880

www.emauxgroup.com

Pool & Spa Equipment

YOUR PREMIER SUPPLIER

Available from:

ALL SPECIFICATIONS ARE SUBJECT TO CHANGE WITHOUT NOTICE
© 2021 EMAUX WATER TECHNOLOGY CO., LTD. ALL RIGHTS RESERVED.