

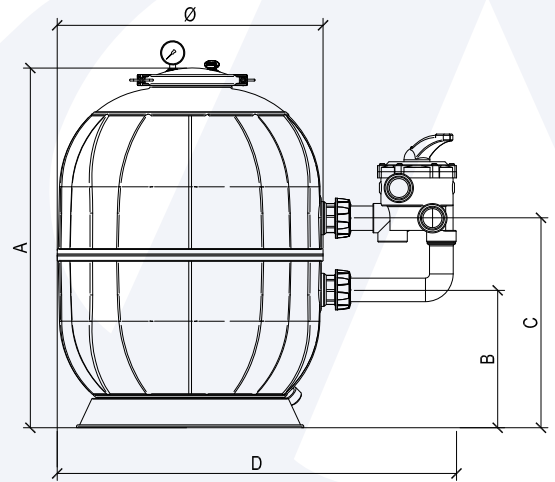
Your global partner in
high quality and strong
innovation since 1974

INJECTED SAND FILTERS “AQUARIUS” SIDE VALVE



INJECTED SAND FILTERS “AQUARIUS” SIDE VALVE

- Sand filter with 6 way selector side valve.
- Totally injection molded in polypropylene.
- Polypropylene spherical body; distribution with micro-hole pipe, anti-slip features with nozzles to ease the maintenance operations.
- Automatic air bleed with upper filter base for double-ring filter to guarantee stability lid with pressure gauge seat and manual air bleed.
- Seal is guaranteed by clamps with butterfly valves and nut maintenance does not require tools.
- Polished and glazed wedges finish
- Draining micro-hole pipe distribution
- Working pressure max. 2.5 bar, Test pressure 4 bar.
- Lateral side connectors $\varnothing 50$ mm (for 1 1/4" valve) and (2563 mm (for 2" valve).
- 3/4" filter discharge
- Standard: UNI 1063722006 regulation for TYPE D categories
- Warranty: 5 years.



CODE	Ø	CONNECTIONS	FLOW	QUARTZ SAND	DIMENSIONS				PACKING	WEIGHT	VOLUME
			(m ³ /h) V=50m ³ /h/m ²	kg	A	B	C	D		kg	m ³
100100967	450	1 1/2"	6	75	645	206	356	716	2	10	0.13
100100970	530	1 1/2"	10	100	795	281	431	730	2	16	0.21
100100973	620	1 1/2"	14	150	830	299	449	820	2	19	0.09
100100988	790	2"	22	250	1010	360	579	1102	2	29	0.61
100100908	950	2"	35	425	1025	370	570	1270	2	37	0.93