

Pressure Switches, Group DS-W

1-1701-1-US

For industrial applications



Pressure switch with plug conforming to DIN EN 175301-803

VOGEL pressure switches have stood the test for years - and now they've been improved!

- Integrated venting
- Housing conforming to UL requirements
- Higher safety class due to new, buckling-resistant housing
- Selectable plug position – three different plug versions

The new pressure switches are compatible with their predecessors. The order No. of the predecessor is indicated in brackets.

DIN EN 175301-803 (Rectangular connector) Order No.	Connector to DIN EN 175201-804 (6-pole machine connector) Order No.	ISO 60947-5-2 (4-pole sensor connector) Order No.	Rated switching pressure non-adjustable [bars]
DS-W1-4 (DS-W1-2)	DS-W1-4-S9 (DS-W1-2-S9)	DS-W1-5 (DS-W1-3)	1
DS-W2-4 (DS-W2-2)	DS-W2-4-S9 (DS-W2-2-S9)	DS-W2-5 (DS-W2-3)	2
DS-W3-4 (DS-W3-2)	DS-W3-4-S9 (DS-W3-2-S9)	DS-W3-5 (DS-W3-3)	3
DS-W5-4 (DS-W5-2)	DS-W5-4-S9 (DS-W5-2-S9)	DS-W5-5 (DS-W5-3)	5
DS-W8-4 (DS-W8-2)	DS-W8-4-S9 (DS-W8-2-S9)	DS-W8-5 (DS-W8-3)	8
DS-W12-4 (DS-W12-2)	DS-W12-4-S9 (DS-W12-2-S9)	DS-W12-5 (DS-W12-3)	12
DS-W20-4 (DS-W20-2)	DS-W20-4-S9 (DS-W20-2-S9)	DS-W20-5 (DS-W20-3)	20
DS-W25-4 (DS-W25-2)	DS-W25-4-S9 (DS-W25-2-S9)	DS-W25-5 (DS-W25-3)	25
DS-W30-4 (DS-W30-2)	DS-W30-4-S9 (DS-W30-2-S9)	DS-W30-5 (DS-W30-3)	30



www.vogelag.com



VOGEL
HYDRAULIK · PNEUMATIK

VOGEL

HYDRAULIK · PNEUMATIK

Im Folgenden finden Sie Informationen zu einem Teil unseres Leistungs- und Serviceportfolios.

Sollten Sie hierzu oder zu anderen Produkten Fragen haben, treten Sie jederzeit gern in Kontakt mit uns:

Tel: 03573- 14800
info@vogel-gruppe.de

- Parker Store
- **Komponenten**
- 3D-Rohrbiege-Service
- Wartung und Service
- Hydraulik & Pneumatik
- Aggregate- und Anlagenbau
- Mobiler Tag- und Nacht vor-Ort-Service
- Druckluft-Service
- Schmiertechnik



Hauptsitz Senftenberg

Laugfeld 21, 01968 Senftenberg Tel: 03573 14 80-0
Bereitschaft: 0160 718 15 82 E-Mail: senftenberg@vogel-gruppe.de

Niederlassung Dresden

Niedersedlitzer Str. 75 . 01257 Dresden Tel:0351 79 57 178
Bereitschaft: 0160 71 81 584 E-Mail: dresden@vogel-gruppe.de

Niederlassung Frankfurt/Oder

Wildbahn 8, 15236 Frankfurt/Oder Tel: 0335 52 15 081
Bereitschaft: 0160 71 81 584 E-Mail: frankfurt@vogel-gruppe.de

Niederlassung Genshagen & Rohrbiegezentrum

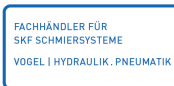
Seestr. 20, 14974 Genshagen Tel: 03378 87 90 67
Bereitschaft: 0171 22 65 930 E-Mail: genshagen@vogel-gruppe.de

Vertriebsgebiet Leipzig

Tel.: +49 160 7181581 . E-Mail: leipzig@vogel-gruppe.de

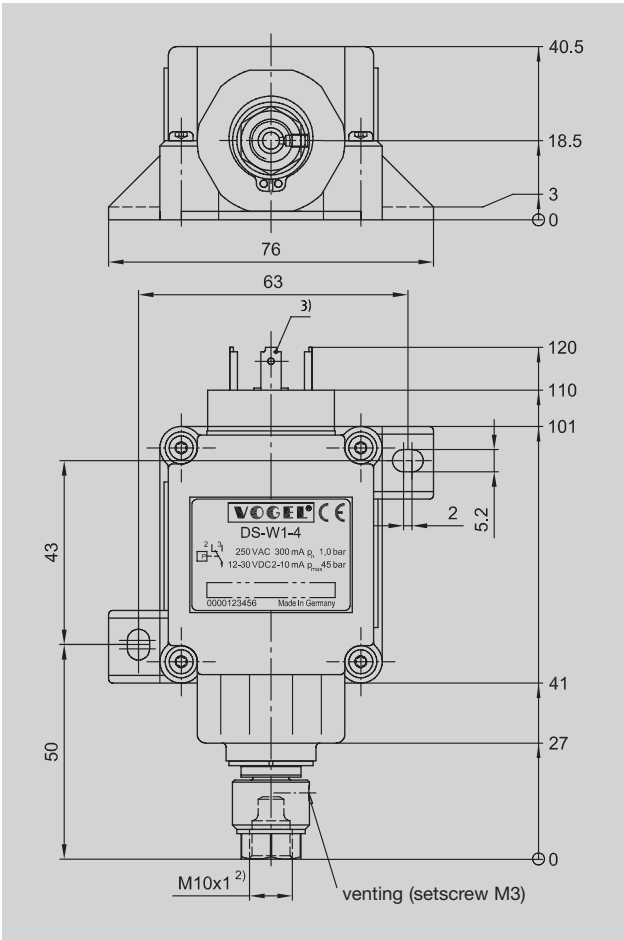
Niederlassung Schöneiche

August-Borsig-Ring 15, 15566 Schöneiche Tel: 030 64 93 581
Bereitschaft: 0160 71 81 590 E-Mail: schoeneiche@vogel-gruppe.de



Industrie-Hydraulik Vogel & Partner GmbH .
Laugfeld 21 . 01968 Senftenberg, Tel.: 03573 1480-0
info@vogel-gruppe.de . www.vogel-gruppe.de





Pressure switch with connector to DIN EN 175301-803
Illustration: (DS-W.-4)

Technical data

Rated switching pressure1, 2, 3, 5, 8, 12, 20, 25 or 30 bars
Perm. operating pressure 1) 45 bars
Max. contact load 125 VA
Max. switching voltage 250 V AC / 30 V DC
Switching current 2 mA min. / 300 mA max.
Max. operating temperature +60 °C
Type of contact changeover
Switching rate30 1/min
Mechanical service life 5x10 ⁶ switching cycles
Type of protection (with cable socket) IP 65
Housing material PBT+PC (UL 94-V0)
Contact material/switch element AuAg25Pt6
Membrane material NBR
Fluids mineral oils, fluid grease, oiled compressed air
Mounting position any

- 1) A safety valve has to be provided for in the system to keep the permissible operating pressure from being exceeded.
- 2) Ports tapped for solderless \varnothing 6 diam. tube connection
- 3) Cable sockets have to be ordered separately for pressure switches with connectors conforming to DIN EN 175301-803 (DS-W.-4):
Cable socket, order No. 179-990-034
Cable socket with indicator light for 220 V AC, order No. 179-990-110
Cable socket with indicator light for 24 V DC, order No. 179-990-111

Notice!

All products from VOGEL may be used only for their intended purpose. If operating instructions are supplied together with the products, the provisions and information therein of specific relevance to the equipment must be observed as well.

In particular, we call your attention to the fact that hazardous materials of any kind, especially the materials classified as hazardous by EC Directive 67/548/EEC, Article 2, Par. 2, may only be filled into VOGEL centralized lubrication systems and components and delivered and/or distributed with the same after consultation with and written approval from VOGEL.

All products manufactured by VOGEL are not approved for use in conjunction with gases, liquefied gases, pressurized gases in solution and fluids with a vapor pressure exceeding normal atmospheric pressure (1013 mbars) by more than 0.5 bar at their maximum permissible temperature.



Willy Vogel AG
Motzener Strasse 35/37
12277 Berlin, Germany
P.O. Box 970444 · 12704 Berlin
Tel. +49 (0) 30 - 720 02-0
Fax +49 (0) 30 - 720 02-111
info@vogel-berlin.de
www.vogelag.com

Willy Vogel AG
2. Industriestrasse 4
68766 Hockenheim
Germany
Tel. +49 (0) 62 05 - 27-0
Fax +49 (0) 62 05 - 27-132
info@vogel-berlin.de
www.vogelag.com

Vogel France SAS
Rue Robert Amy, B.P. 130
49404 Saumur cedex
France
Tel. +33 (0) 241 404 200
Fax +33 (0) 241 404 242
info@vogelfrance.com
www.vogelfrance.com