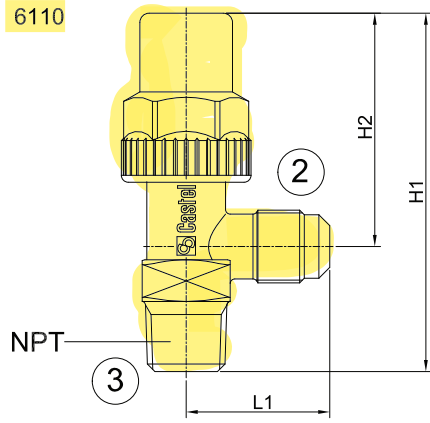
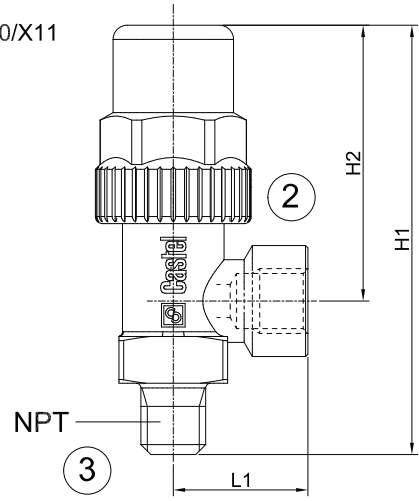


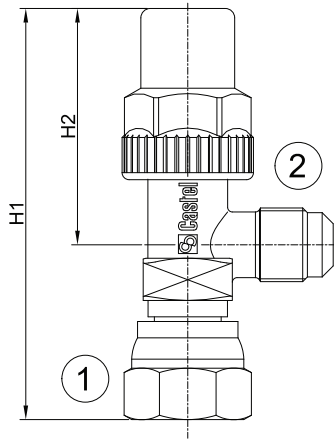
6110



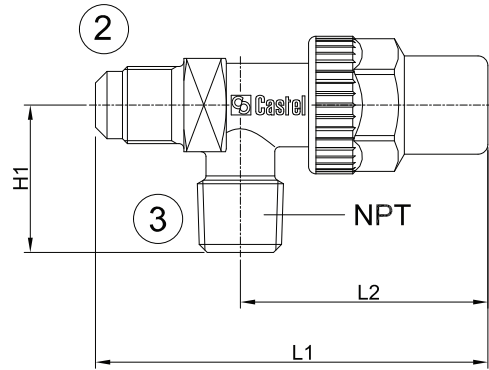
6110/X11



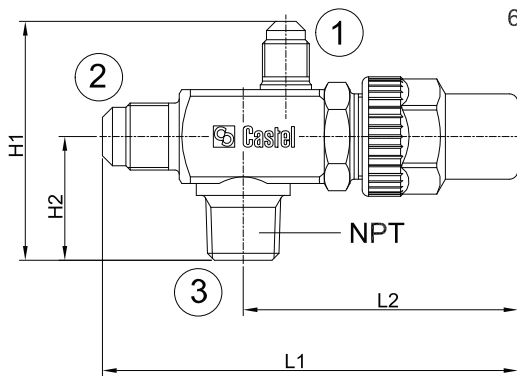
6110/X13
6110/X15



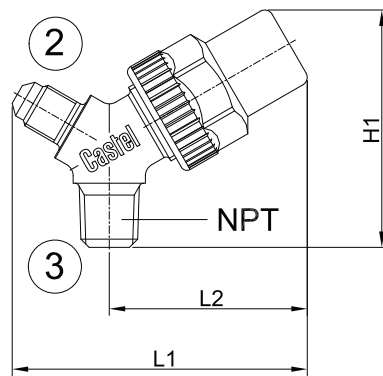
6120



6132



6140



RECEIVER VALVES

The receiver valves can be divided into three categories:

- Two-way valves, 90° angle connections, types 6110 and 6120
- Three-way valves; two main connections (90° angle) plus a third one for charging, type 6132. The access connection may be shut off by the back-sealing of the spindle
- Two-way valves, 120° angle connections, type 6140

The main parts of the receiver valves are made with the following materials:

- Hot forged brass EN 12420 – CW 617N for the body.
- Steel, with proper surface protection, for the spindle.
- Chloroprene rubber (CR) and aramid fibres for gland seal
- Glass-reinforced PBT for the protective cap that covers the spindle.

TABLE 3: General characteristics of receiver valves

Catalogue Number	Connections			Kv Factor [m³/h]	PS [bar]	TS [°C]		TA [°C]		Risk Category according to PED Recast	
	SAE Flare		NPT			min.	max.	min.	max.		
	(1)	(2)	(3)								
6110/21	-	1/4"	1/8"	0,44	45	-40	-40	+50	Art. 4.3		
6110/22		1/4"	1/4"								
6110/X15	1/4" F	1/4"	-								
6110/X11	-	-	1/4" M/F								
6110/23	-	1/4"	3/8"	0,45							
6110/32		3/8"	1/4"	1,35							
6110/33		3/8"	3/8"								
6110/X13	3/8" F	3/8"	-	2,40							
6110/43	-	1/2"	3/8"								
6110/44		1/2"	1/2"							3,40	
6110/54		5/8"	1/2"							6,00	
6110/66		3/4"	3/4"								
6120/22		-	1/4"							1/4"	0,44
6120/23			1/4"							3/8"	0,45
6120/32			3/8"							1/4"	1,35
6120/33			3/8"							3/8"	1,35
6120/43			1/2"							3/8"	2,40
6120/44			1/2"							1/2"	3,40
6120/54			5/8"							1/2"	
6120/66			3/4"	3/4"						6,00	
6132/22	1/4"		1/4"	1/4"						0,45	
6132/33			3/8"	3/8"						1,20	
6132/44			1/2"	1/2"						2,20	
6132/54			5/8"	1/2"						3,85	
6140/22	-	1/4"	1/4"	0,36							
6140/23		1/4"	3/8"								

TABLE 4: Dimensions and weights of receiver valves

Catalogue Number	Dimensions [mm]				Weight [g]	
	H ₁	H ₂	L ₁	L ₂		
6110/21	70,5	48	27,5	-	100	
6110/22	72				110	
6110/X15	83				130	
6110/X11	88	55,5	28,5		230	
6110/23	77	50	29		135	
6110/32			31		130	
6110/33			140			
6110/X13			87		175	
6110/43	88	55,5	34,5		220	
6110/44	92				235	
6110/54	128			245		
6110/66	88	88	42,5	675		
6120/22	27,5	-	72	48	110	
6120/23	30		77	50	130	
6120/32			80		135	
6120/33			80		140	
6120/43			93	55,5	225	
6120/44	33		94		305	
6120/54	40		129,5		245	
6120/66	56		29	94	88	670
6132/22	65,5		36	97	64	240
6132/33				112		250
6132/44	57	-	115	75	350	
6132/54			69		365	
6140/22	57	-	69	46	115	
6140/23					125	