

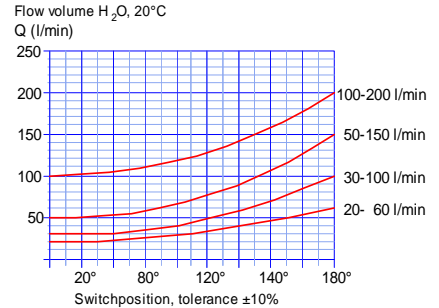
GENERAL CHARACTERISTICS

Mechanical Flow Switch for liquids or gaseous media, with contactless triggering of an adjustable reed switch. Rugged design in brass / bronze combination.

- * good repeatability
- * dirt-resistant
- * exact setting of switch via scale



Female thread G1/4 to G3 bronze



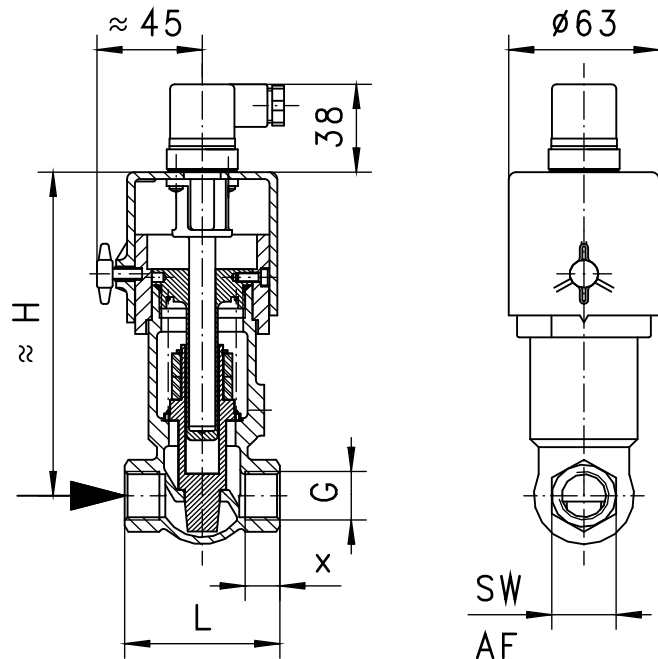
VD-008GR010

TECHNICAL DATA

	G	Type	PN bar	Qmax. recom. l/min H ₂ O		adjustable range l/min H ₂ O		H mm	L mm	AF mm	X mm	weight kg
br	G 1/4	VD-008GR010	25	15		1 - 10		150	65	29	12	1.0
	G 3/8	VD-010GR010	25	15		1 - 10		150	65	29	12	1.0
	G 1/2	VD-015GR...	25	20	30	1 - 10	4 - 20	150	65	29	14	1.0
	G 3/4	VD-020GR...	25	40	60	4 - 20	10 - 40	150	80	32	16	1.1
	G 1	VD-025GR...	25	60	85	10 - 40	20 - 60	150	80	41	18	1.3
	G 1 1/4	VD-032GR...	16	100	145	20 - 60	30 - 100	156	98	52	13	2.1
	G 1 1/2	VD-040GR...	16	150	220	30 - 100	50 - 150	156	113	59	14	2.8
	G 2	VD-050GR...	16	250	290	50 - 150	100 - 200	156	137	72	17	4.0
	G 2 1/2	VD-065GR...	16	400	475	100 - 200	180 - 330	156	160	85	26	4.0
G 3	VD-080GR...	16	600	720	180 - 330	300 - 600	156	148	100	23	7.0	

Adjustable range is indicated for horizontally decreasing flow.

tolerance ±5% of full scale
 media temperature max. 120°C
 average pressure loss 0.5 bar at Qmax.
 hysteresis depending on switch value
 minimum 0.3 l/min.



MATERIALS

housing bronze Rg5/Rg6 nickel plated
 piston DN 8-25 POM glass-fibre enforced
 DN 32-80 POM
 spring **stainless steel 1.4310**
 piston guide **brass Ms58**
 seal **NBR**
 magnet bariumferrite
 cap ABS

ELECTRICAL DATA

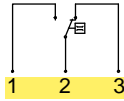
reed switch - wiring 0.213 change over

250 V AC 1.5 A 50 VA

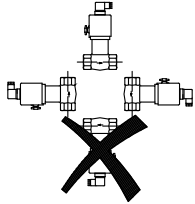
plug DIN 43650-A

protection class 2

protection class IP 44



MOUNTING POSITION



Installation position may influence switch value.

METERING SUBSTANCES



water



gas/air



oil

NOMENCLATURE

For combination see table "technical data"

VD-	008	G	R	010			basic type
	008				●	nominal diameter	specification
	010				●		DN 8 - G1/4
	015				●		DN 10 - G3/8
	020				●		DN 15 - G1/2
	025				●		DN 20 - G3/4
	032				●		DN 25 - G1
	040				●		DN 32 - G1 1/4
	050				●		DN 40 - G1 1/2
	065				●		DN 50 - G2
	065				●		DN 65 - G2 1/2
	080				●		DN 80 - G3
		G			●		female thread
			R		●		bronze
				010	●		adjustable range H ₂ O horizontal
				020	●	4 - 20 l/min	
				040	●	10 - 40 l/min	
				060	●	20 - 60 l/min	
				100	●	30 - 100 l/min	
				150	●	50 - 150 l/min	
				200	●	100 - 200 l/min	
				330	●	180 - 330 l/min	
				600	●	300 - 600 l/min	
					A ○		switch ATEX (product information 92.1.V1)
Programme option	BASIC				○		signal lamp temperature indicator 0-120°C protection class IP 65 material certification
Special option	VARIO				□		setting / adjustable ranges for oil or gas selected hysteresis rhodium contact temperature control 30-95°C wetted parts in brass or stainless steel temperature up to +150°C damping for gas control approval Germanischer Lloyd type VR

IMPORTANT FOR YOUR ORDER

- Please indicate flow direction, metering substance and adjustable range with your order.
- With viscous liquids please indicate viscosity, temperature and metering substance (adjustable range on request)
- With gaseous media indicate pressure (relative or absolute), temperature and metering substance (adjustable range on request)

All technical changes reserved

●BASIC Standard ○BASIC Programme option □VARIO Special option ⊕ PLUS Accessories ✗not recommendable