

DRIP PROOF & WATER PROOF CONTROLS

SERIES NS-W & NS-P

SAGHOMDA

GENERAL DESCRIPTION

- Approved by various marine standards such as Bureau Veritas, Lloyd's Register, Det Norske Veritas - Germanischer Lloyd's, Nippon Kaiji Kyokai, ABS etc.
- Suitable for indoor or outdoor applications where water drips and dusts are apt to enter, such as marine refrigeration units or industrial plants.
- External wiring is made by cabletyre cable connection with cable glands.

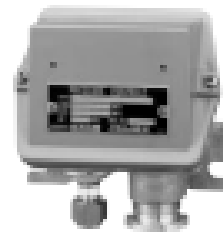
Standard gland size: $\phi 20\text{mm}$

Semi standard gland size: $\phi 15\text{mm}$

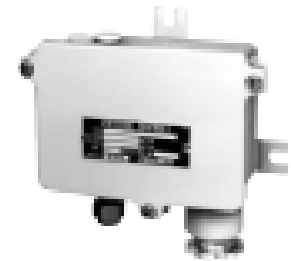
- To order, specify catalog No. with "W" or "P".

Example: Type SNS-C106XW Drip proof model

Type SNS-C106XP Water proof model



Type SNS-R, FNS-R, ANS-R



Type SNS-W, FNS-W, ANS-W

- Type SNS-W/P – Drip proof and Water proof model of single function pressure controls.

TYPE NUMBER SELECTION (SPECIFICATIONS)

Automatic reset type

Catalog No.		Range		Differential		Factory Setting		Max. Working Pressure	Contact Function	Wt. (kg)
		Min.	Max.	Min.	Max.	Off (On)	On (Off)			
SNS-C101X	W	-0.06 (-50cmHg)	0.1 (1)	0.015 (0.13)	0.05 (0.5)	0.025 (0.25)	0.05 (0.5)	0.3 (3)	Diagram 1	SNS-W Approx. 1.1 SNS-P Approx. 0.8
SNS-C102X	W, P	-0.02 (-20cmHg)	0.2 (2)	0.025 (0.25)	0.15 (1.5)			0.5 (5)		
SNS-C103X	W, P	-0.06 (-50cmHg)	0.3 (3)	0.035 (0.35)	0.2 (2)	0.05 (0.5)	0.15 (1.5)	1 (10)		
SNS-C104X	W, P	-0.06 (-50cmHg)	0.4 (4)	0.04 (0.4)	0.2 (2)	0.1 (1)	0.2 (2)	1.5 (15)		
SNS-C105X	W, P	-0.06 (-50cmHg)	0.6 (6)	0.06 (0.6)	0.4 (4)	0.2 (2)	0.3 (3)			
SNS-C110X	W, P	0.1 (1)	1 (10)	0.1 (1)	0.3 (3)	0.4 (4)	0.6 (6)			
SNS-C120X	W, P	0.5 (5)	3 (30)	0.3 (3)	1 (10)	2 (20)	2.5 (25)	3.3 (33)		
SNS-C130X	W, P	1 (10)	3.5 (35)	0.5 (5)	1.5 (15)	2.5 (25)	3 (30)	3.6 (36)		

Unit: MPa (kgf/cm²)

Manual reset type

Catalog No.		Range		Manual Reset	Factory Setting		Max. Working Pressure	Contact Function	Wt. (kg)
		Min.	Max.		Off (On)	On (Off)			
SNS-C102XM2	W, P	-0.02 (-20cmHg)	0.2 (2)	Automatic operation on pressure decrease and manual reset on pressure increase	0.025 (0.25)	Manual Reset	0.5 (5)	Diagram 2	SNS-W: Approx. 1.1 SNS-P: Approx. 0.8
SNS-C104XM2	W, P	-0.06 (-50cmHg)	0.6 (6)		0.2 (2)		1.5 (15)		
SNS-C120XM2	W, P	0.5 (5)	3 (30)		3 (30)		3.3 (33)		

Unit: MPa (kgf/cm²)

* Based on the 1-3 terminal connection.

ELECTRICAL RATINGS

Rated Voltage (V)		Power Factor (cos ϕ)	125/250V AC
Rated Current (A)			
Non-inductive Current		1	12
Inductive Current	Full Load	0.75	
	Inrush Current	—	72

Minimum contact capacity: 50mA

CONTACT FUNCTIONS

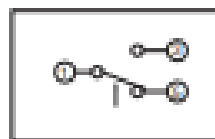


Diagram 1

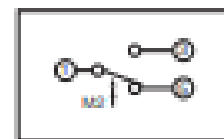


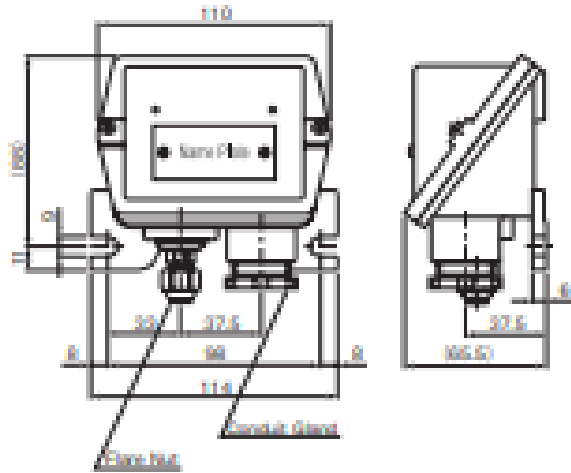
Diagram 2

Diagram 1 & 2	
1	Common Terminal
3	Close on Pressure Increase
5	Close on Pressure Decrease

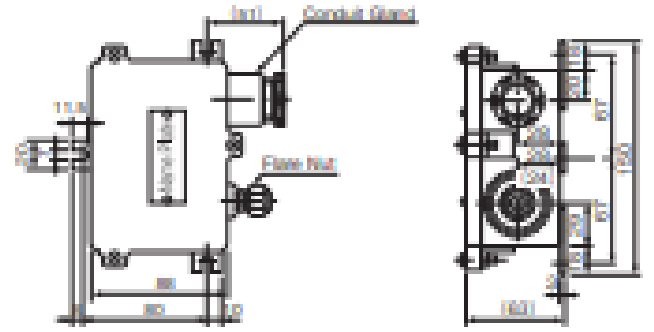
1 : Operating direction on press. increase at High Press. Side
M2 ↑ : Operating direction on manual reset.

DIMENSIONS

Type SNS-P, FNS-P, ANS-P



Type SNS-W, FNS-W, ANS-W



Unit: mm

- Type DNS-W/P – Drip proof and Water proof model of dual function pressure controls