

PRESSURE CONTROLS WITH NARROW DIFFERENTIAL

Type FNS & ANS



GENERAL DESCRIPTION

- For use with fluorinated refrigerants as well as with air and water.
- Type FNS with fixed narrow differential
- Type ANS with adjustable narrow differential
- Available drip proof enclosure for marine application or explosion proof enclosure for special application.
- Mounting bracket is supplied as standard.
- With SPDT contact mechanism.
- IP44 with upper lid (option). -----Type FNS
- Stainless steel models are available upon request.



Type FNS



Type ANS

CE mark applicable (available upon request)

SPECIFICATIONS

- Fluid temperature: -20 to 120°C
- Ambient temperature: -20 to 70°C

TYPE NUMBER SELECTION

Type FNS - Fixed narrow differential type

Unit: MPa (kg/cm²)

Catalog No.	Range		Differential	Factory Setting		Max. Working Pressure	Wt. (kg)
	Min.	Max.	Fixed	Off	On		
FNS-C101X	-0.06 (-50cmHg)	0.1 (1)	0.006 Approx. (0.06 Approx.)	(0.016) (0.16)	0.025 (0.25)	0.3 (3)	0.32
FNS-C102X	-0.02 (-20cmHg)	0.2 (2)	0.008 Approx. (0.08 Approx.)	(0.042) (0.42)	0.05 (0.5)	0.5 (5)	
FNS-C106X	-0.06 (-50cmHg)	0.6 (6)	0.02 Approx. (0.2 Approx.)	(0.28) (2.8)	0.3 (3.0)	1.5 (15)	
FNS-C110X	0.1 (1)	1 (10)	0.025 Approx. (0.25 Approx.)	(0.575) (5.75)	0.6 (6.0)		
FNS-C130X	0.5 (5)	3 (30)	0.12 Approx. (1.2 Approx.)	(2.38) (23.8)	2.5 (25)	3.3 (33)	

Type ANS - Adjustable narrow differential type

Unit: MPa (kg/cm²)

Catalog No.	Range		Differential				Factory Setting		Max. Working Pressure	Wt. (kg)
			Min.		Max.					
	Min.	Max.	Bottom	Top	Bottom	Top	Off	On		
ANS-C101XB	-0.06 (-50cmHg)	0.1 (1)	0.007 (0.07)	0.007 (0.07)	0.014 (0.14)	0.015 (0.15)	0.018 (0.18)	0.025 (0.25)	0.3 (3)	0.32
ANS-C103XB	-0.02 (-20cmHg)	0.3 (3)	0.008 (0.08)	0.01 (0.1)	0.018 (0.18)	0.027 (0.27)	0.141 (1.41)	0.15 (1.5)	1 (10)	
ANS-C106XB	-0.06 (-50cmHg)	0.6 (6)	0.015 (0.15)	0.018 (0.18)	0.03 (0.3)	0.045 (0.45)	0.28 (2.84)	0.3 (3.0)	1.5 (15)	
ANS-C110XB	0.1 (1)	1 (10)	0.02 (0.2)	0.03 (0.3)	0.045 (0.45)	0.07 (0.7)	0.575 (5.75)	0.6 (6.0)		
ANS-C130XB	0.5 (5)	3 (30)	0.12 (1.2)	0.2 (2.0)	0.23 (2.3)	0.37 (3.7)	2.32 (23.2)	2.5 (25)	3.3 (33)	
ANS-C135XB	1 (10)	3.5 (35)			0.24 (2.4)	0.39 (3.9)	2.82 (28.2)	3 (30)	3.8 (38)	

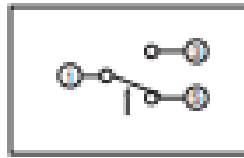
• Enclosure: IP20

• Drip Proof Models: Available upon request. (Refer to page 51.)

ELECTRICAL RATINGS

Rated Voltage (V)		Power Factor (cos φ)	125/250V AC
Rated Current (A)			
Non-Inductive Current		1	12
Inductive Current	Full Load	0.75	
	Inrush Current	—	72

CONTACT FUNCTIONS



1	Common Terminal
3	Close on Pressure Increase
5	Close on Pressure Decrease

↑ : Operating direction on press. increase at High Press. Side

PRESSURE CONNECTIONS

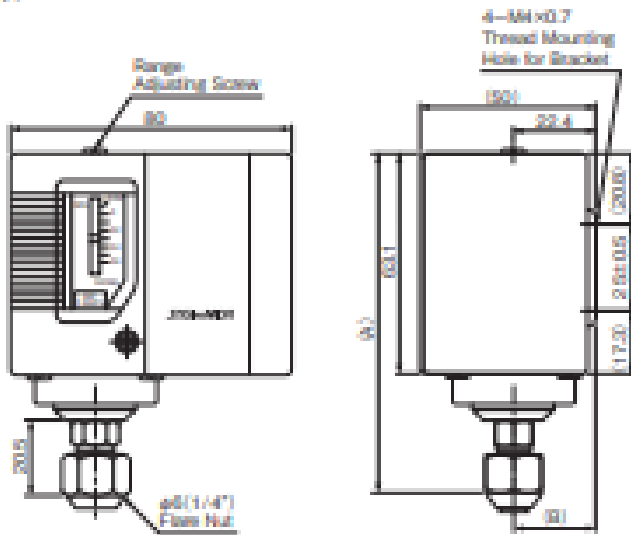


Refer to page 45, 46

Standard

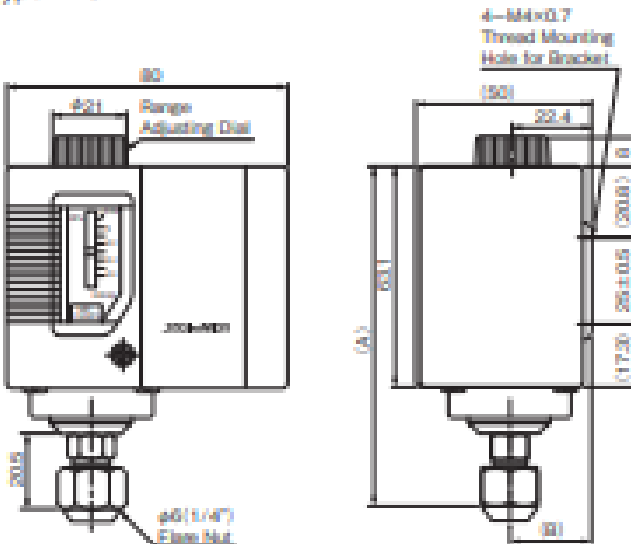
DIMENSIONS

Standard Model
Type FNS



Catalog No.	Unit: mm	
	A	B
FNS-C101X	113.3	22.4
FNS-C102X	99.7	
FNS-C105X	95.8	18.4
FNS-C110X	93.5	

Type ANS



Unit: mm

Catalog No.	Unit: mm	
	A	B
ANS-C101XB	113.3	22.4
ANS-C103XB	99.7	
ANS-C105XB	95.8	18.4
ANS-C110XB	93.5	