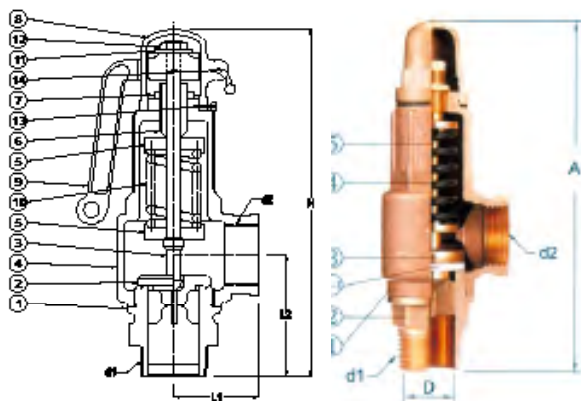
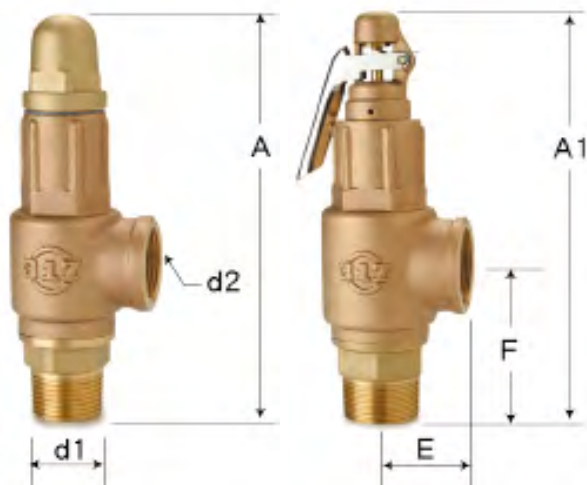


MODEL	METAL	PTFE
W/O LEVER	SV-B27	SVP-B27
WITH LEVER	SV-B29	SVP-B29

SV-B27/SV-B29 optional Pressure: 10.5~20 kgf/cm²

- Please specify the required **Set Pressure** when ordering.
- The features of precision lapping of valve seat and valve disc.
- Optional **PTFE** seal for better leak prevention.
(Model: SVP-B27, SVP-B29)



Working Fluid	SV-B27/SV-B29/SVP-B29 Non-Corrosive Gas, Air, Steam. SVP-B27 (W/O Lever) Non-Corrosive Gas, Non-Corrosive Liquid, Air, Steam, Water, Oil.
Working Temperature	-45°C ~ 185°C
Working Pressure	SV-B27 / SV-B29 0.3 ~2 kgf/cm ² , 2.1 ~ 10 kgf/cm ² , 11 ~ 20 kgf/cm ² SVP-B27 / SVP-B29 (PTFE) 7 ~ 10 kgf/cm ²
Connection	BSPT (BS21), NPT (ANSI B2.1)

Material

No. / Parts	W/O Lever	SV-B27(S3W-A)	SVP-B27
	With Lever	SV-B29(S3W-LR)	SVP-B29
	Disc Type	METAL TO METAL	PTFE
1	Valve Seat	FORGE BRASS	FORGE BRASS
2	Valve Disc	FORGE BRASS	FORGE BRASS
3	Valve Spindle (Stem)	FORGE BRASS	FORGE BRASS
3-1	Valve Seal	—	PTFE
4	Valve Body	CAST BRONZE	CAST BRONZE
5	Spring Shoe	BsBM	BsBM
6	Adjusting Screw	BsBM	BsBM
7	Stop Nut	BsBM	BsBM
8	Cap	FORGE BRASS	FORGE BRASS
9	Lever (B29)	STEEL	STEEL
10	Spring	SWOSC-V	SWOSC-V
11	Screw Washer	BsBM	BsBM
12	Hexagon Nut	BsBM	BsBM
13	Stop Bolt	BsBM	BsBM
14	Pin	BsBF	BsBF

This type of safety valve is characterized by regulating of pressure in valve rising and blowing-out when actuated and is the smallest and lightest valve, and also can be used in non-corrosive gases (air, oxygen, nitrogen, etc.) steam and liquids, such as water and oil. The dimensions shown in the chart are subject to change without notice.

mm

Nominal Diameter	Valve Seat Orifice D	Lift ℓ	Effective Area mm ²			L1 E	L2 F	Fitting Screw		Closed Type		Lever Type	
			2.22DI	π DI	0.785D ²			Inlet d1	Outlet d2	A	Wt.	A1	Wt.
12	13	0.52	13.32	18.84	113.0	29	50	PT 1/2	PT 1/2	138	0.52	161	0.59
19	19	0.76	32.05	45.36	283.3	36	58	PT 3/4	PT 3/4	149	0.66	172	0.74
25	25	1.00	55.50	78.53	490.6	40	70	PT 1	PT 1	181	1.09	202	1.19
32	32	1.28	90.93	128.67	803.8	50	82	PT 1.1/4	PT 1.1/4	207	1.90	222	1.94
38	38	1.52	128.22	181.45	1133.5	54	93	PT 1.1/2	PT 1.1/2	231	2.35	246	2.39
50	50	2.00	222.00	314.15	1962.5	67	102	PT 2	PT 2	266	3.85	282	4.11