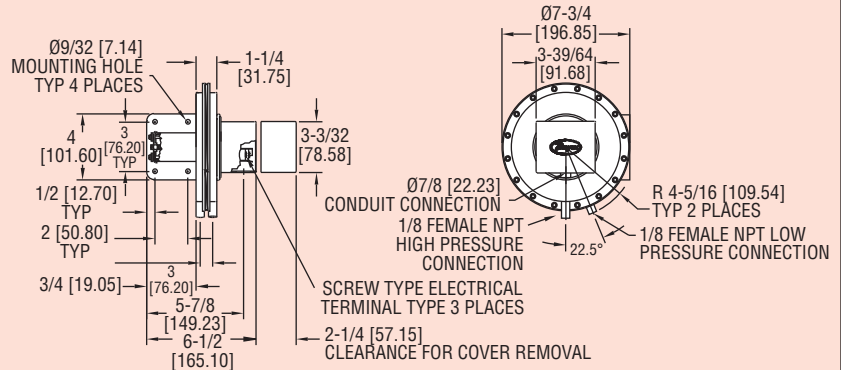
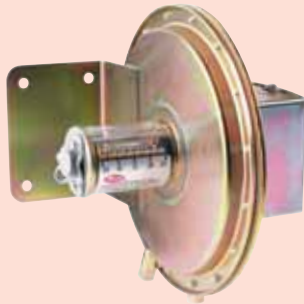




Series  
1630

# Large Diaphragm Pressure Switches

Visual Set Point Adjustment in 5 Standard Ranges,  
0.05" to 12" w.c. Repetitive Accuracy within  $\pm 1\%$



**Our highest precision** conventional large diaphragm pressure switch provides maximum dependability. In addition, it incorporates a visible set point indicator for maximum convenience. UL and CSA listed, FM approved for general service, these switches are suitable for most applications in air conditioning and industrial service. Electrical capability of 15 amps handles most small electrical loads.

#### Special Models Available

**Environmental (MIL) Construction.** Unlisted Model 1635 can be furnished with a special snap switch sealed against the environment for high humidity, exposure to fungus, and/or for military applications. Similar to Model 1638 except dead band is slightly greater and some lower set points may not be available. Specify Model 1635 – (Range No.) – “MIL” and required set point in ordering.

Model	Operating Range, Inches, W.C.	Approximate Dead Band	
		At Min. Set Point	At Max. Set Point
1638-0	0.05 to 0.25	0.04	0.05
1638-1	0.20 to 1.0	0.04	0.06
1638-2	1.0 to 3.0	0.06	0.08
1638-5	2.0 to 6.0	0.07	0.25
1638-10	3.0 to 12	0.11	0.30

#### SPECIFICATIONS

**Service:** Air and non-combustible, compatible gases.

**Wetted Materials:** Consult factory.

**Temperature Limits:** -30 to 110°F (-34.4 to 43.3°C).

**Pressure Limits:** 10 psig (68.95 kPa) continuous, 25 (172.4 kPa) psig surge.

**Switch Type:** Single-pole double-throw (SPDT).

**Repeatability:**  $\pm 1\%$ .

**Electrical Rating:** 15 A @ 120-480 VAC, 60 Hz. Resistive 1/8 HP @ 125 VAC, 1/4 HP @ 250 VAC, 60 Hz.

**Electrical Connections:** 3 screw type, common, normally open and normally closed.

**Process Connections:** 1/8" female NPT.

**Mounting Orientation:** Diaphragm in vertical position. Consult factory for other position orientations.

**Set Point Adjustment:** Screw type with enclosed scale.

**Weight:** 4 lb, 14 oz (2.21 kg).

**Agency Approvals:** UL, CSA and FM.

**CAUTION:** For use only with air or compatible gases.