



LIQUID FLOW SWITCHES

DB...MI

FUNCTION

Liquid flow control for non aggressive liquid with small and medium quantity. The units cause a low pressure drop and present a high reliability.
Alarm signal of flow shortage (safety switch).

APPLICATIONS

Well-suited in:
- heating and air conditioning systems;
- refrigeration systems;

TYPE	FITTING G	SETTING RANGE l/min H ₂ O	MAX. FLOW RATE RECOMMENDED l/min H ₂ O	PRESSURE LOSS (MAX FLOW RATE) bar	TOLERANCE ± % ES (*)
DB10MI	3/8"	5 - 6	10	0.01	15
DB15MI	1/2"	6 - 7	20	0.01	15
DB20MI	3/4"	7,5 - 11	40	0.01	15
DB20MI/1	3/4"	13 - 16	40	0.01	15
DB25MI	1"	19 - 24	60	0.01	15
DB32MI	1 1/4"	30 - 50	80	0.01	15
DB40MI	1 1/2"	50 - 60	100	0.01	15
DB50MI	2"	70 - 90	150	0.01	15

(*) ES end of scale

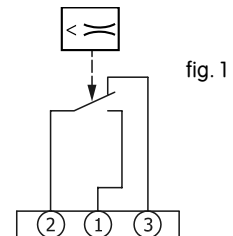
Note: the value indicated on schedule have been measured with the flow switch mounted on horizontal position.

TECHNICAL DATA

Contacts: dust-tight microswitch with SPDT contacts
Switch capacity: 5 A, 250 Vac
Working fluid temp: -20...+110 °C
Max pressure: 25 bar
Differential: min. 0,7 l/min
Plug: connector female DIN 43650-A
Storage: -20...+70 °C
 < 95% r.h.
Housing: ABS V0
Body: brass
Paddle: stainless steel
Sealing: NBR
Protection: IP65, class II
Size: 102 x 30 x 83...104 mm
Weight: see table

WIRING DIAGRAM

The microswitch contact "2" (common) and "1" (normally open) opens when the value drops below the set switch-off value. The contact "3" (normally closed) can be used as a signal contact (fig.1).



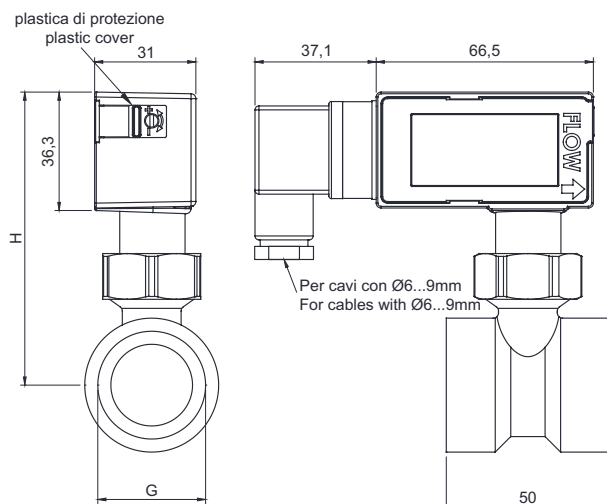
FUNCTIONING

The stainless steel paddle moves because of flow that is stronger than spring return. The end arm part is mounted on a primary magnet. It actuates a secondary magnet that is external to flow and is mounted on the microswitch contact lever.

NOTE

To adjust the setting range slide the plastic cover and operate onto the adjusting screw between the minimum and the maximum. During installation take care to the correct flow direction. A straight zone of at least five times the diameter must be provided upstream and downstream the location of installation.

DIMENSIONS (mm)



G	DN	H (mm)	WEIGHT (g)
3/8"	10	83	300
1/2"	15	83	300
3/4"	20	85	346
3/4"/1	20	88	350
1"	25	90	386
1 1/4"	32	92	518
1 1/2"	40	97	642
2"	50	104	990

