

EMCF series 2/2 Pulse Valve (Nomal Close)

EMCF Series

EMCF

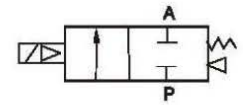
252



EMCF-25



EMCF-50



How to Order?

EMCF — 25 — E1

EMCF series

Orifice
25: 25mm
40: 40mm
50: 50mm
65: 65mm
76: 76mm

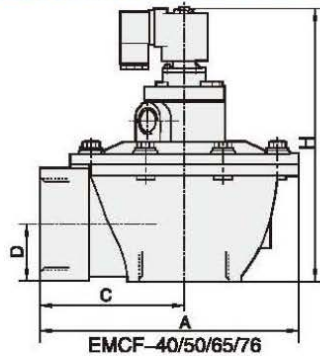
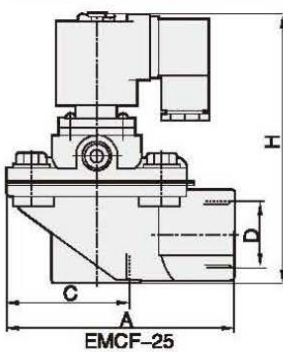
Voltage
E1: AC110V
E2: AC220V
E4: DC24V

* EMCF series, Orifice: 25mm, Voltage: AC220V, Model: EMCF-25E2

Product Features

- * Normal close, aluminium body
- * Especially for dusty collection
- * Bigger size from 1" to 3"
- * Diaphragm pilot solenoid valve, with lower working pressure

Main Dimensions (mm)



Model	H	A	C	D
EMCF-25	125	110	63	21.5
EMCF-40	170	140	78	32.5
EMCF-50	200	210	112	40
EMCF-65	225	210	115	48
EMCF-76	254	217	117	66

Specifications

Voltage: AC220V

Model	EMCF-25E2	EMCF-40E2	EMCF-50E2	EMCF-65E2	EMCF-76E2
Working medium	Clean air air				
Acting type	Pilot type, N.C.				
Orifice(mm)	φ25	φ40	φ50	φ65	φ76
Port size	1"	1-1/2"	2"	2-1/2"	3"
Working pressure(Bar)	4-6				
Guaranteed pressure(Bar)	9				
Working temperature(°C)	-10/55				
Voltage range	-15 ~ 10%				
Relative humidity	<85%				
Diaphragm life	≦ 1,000,000				
Valve body material	Aluminum				
Voltage range	NBR				