

- > Port size: 1/4" ... 1/2" (ISO G/PTF)
- > Excelon design allows in-line or modular installation
- > Flow sensor provides a nearly constant oil/air ratio over a wide range of flows
- > All round (360°) visibility of sightfeed dome for ease of drip rate setting



**Technical features**

**Medium:**

Compressed air only

**Maximum operating pressure:**

Transparent bowls:

10 bar (145 psi)

Metal bowls:

17 bar (250 psi)

**Bowl:**

0,1 litre

**Drain:**

Without standard

Manual optional

**Port size:**

G1/4, G3/8, G1/2,  
1/4 PTF, 3/8 PTF 1/2 PTF

**Flow:**

Micro-fog : Start point 0,71 dm³/s,  
max. 38 dm³/s at port size 3/8",  
Operating pressure: 6,3 bar (91 psi)  
Δp: 0,5 bar (7 psi)

**Ambient/Media temperature:**

Transparent bowl:

-34° ... +50°C (-30° ... +122°F)

Metal bowl:

-34° ... +80°C (-30° ... +176°F)

Air supply must be dry enough  
to avoid ice formation at  
temperatures below +2°C (+35°F).

**Materials:**

Bowl: Transparent PC alternative  
transparent PC with steel guard  
alternative aluminium  
Body: Die cast aluminium  
Sight-feed dome: Transparent PA  
Elastomers: CR & NBR

**Technical data L73C - Oil-fog lubricators; standard models**

Symbol	Port size	Size	Pressure maximum (bar)	Drain	Bowl	Weight (kg)	Model
	G1/4	Basic	10	Without	PC (transparent)	0,50	L73C-2GP-ETN
	G3/8		10	Without	PC (transparent)	0,50	L73C-3GP-ETN
	G1/2		10	Without	PC (transparent)	0,50	L73C-4GP-ETN

**Technical data L73M - Micro-fog lubricators; standard models**

Symbol	Port size	Size	Pressure maximum (bar)	Drain	Bowl	Weight (kg)	Model
	G1/4	Basic	10	Without	PC (transparent)	0,50	L73M-3GP-ETN
	G3/8		10	Without	PC (transparent)	0,50	L73M-3GP-ETN
	G1/2		10	Without	PC (transparent)	0,50	L73M-4GP-ETN

**Option selector**

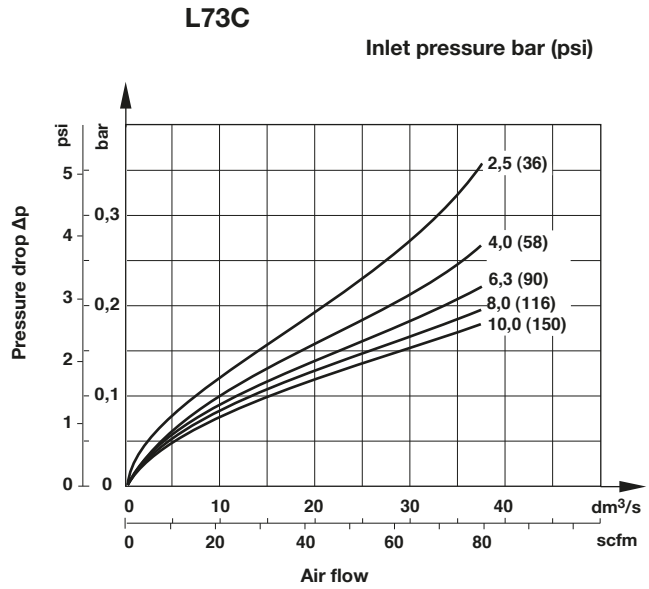
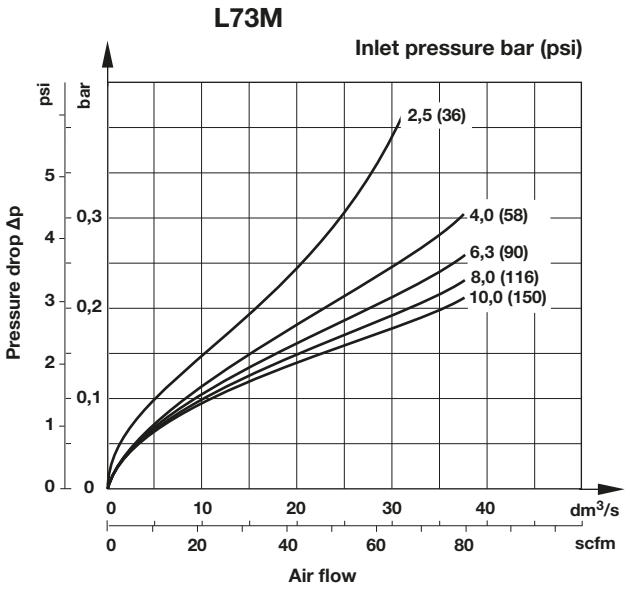
L73★-★★P-★★★

	Substitute
Oil fog lubricator	<b>C</b>
Micro fog lubricator	<b>M</b>
<b>Port size</b>	Substitute
1/4"	<b>2</b>
3/8"	<b>3</b>
1/2"	<b>4</b>
<b>Thread form</b>	Substitute
PTF	<b>A</b>
ISO G parallel (standard)	<b>G</b>

Option	Substitute
None (standard)	<b>N</b>
Quick fill nipple	<b>Q</b>
<b>Bowl</b>	Substitute
Transparent (standard)	<b>T</b>
Metal	<b>D</b>
Transparent with guard	<b>P</b>
<b>Drain</b>	Substitute
None	<b>E</b>
Manual (standard)	<b>Q</b>

**Flow characteristics**

Port size: G3/8



**Accessories**

Wall mounting bracket	Quikclamp®	Quikclamp with wall bracket®	Quikmount pipe adaptor *1)	Porting block with three alternative 1/4" ports	2/2 Shut-off valves (for full technical specification see datasheet 8.180.600)	3/2 Shut-off valves (for full technical specification see datasheet 8.180.600)
Page 3	Page 3	Page 3	Page 3	Page 3	Page 3	Page 3
4424-50	4314-51	4314-52	G1/4: 4315-09 G3/8: 4315-10 G1/2: 4315-11 1/4 PTF: 4315-01 3/8 PTF: 4315-02 1/2 PTF: 4315-03	G1/4: 4316-52 1/4 PTF: 4316-50	G1/4: T73B-2GA-P1N G3/8: T73B-3GA-P1N G1/2: T73B-4GA-P1N 1/4 PTF: T73B-3AA-P1N 3/8 PTF: T73B-2AA-P1N 1/2 PTF: T73B-4AA-P1N	G1/4: T73T-2GA-P1N G3/8: T73T-3GA-P1N G1/2: T73T-4GA-P1N 1/4 PTF: T73T-3AA-P1N 3/8 PTF: T73T-2AA-P1N 1/2 PTF: T73T-4AA-P1N

\*1) Please use a Quikmount pipe adaptor if the Quikclamp be mounted at inlet or outlet side.

**Pressure switch**

Porting block for pressure switch



Page 3

0523110000000000

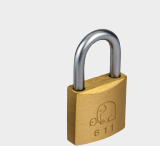
Pressure switch (0,5 ... 8 bar)



0881300000000000

**Padlock**

Padlock (brass) with two keys \*1)



0613633000000000

\*1) for shut-off valves

**Service kits**

Service kit

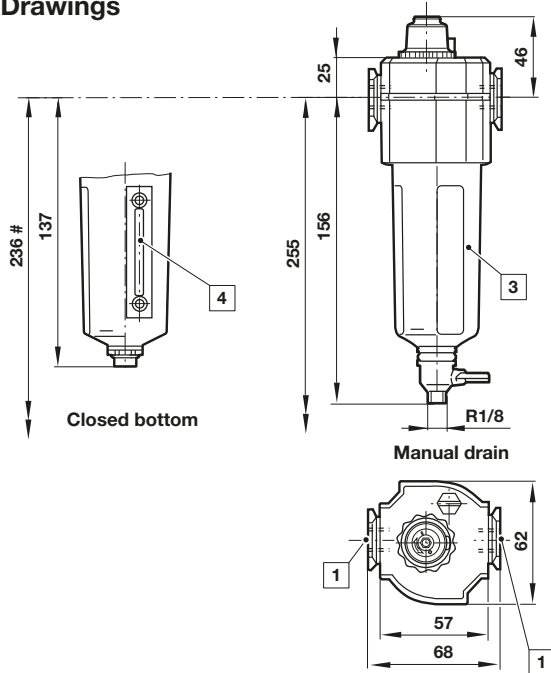


L73M-KIT

L73C-KIT

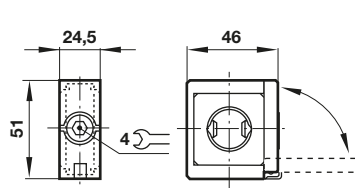
Drawings

Dimensions in mm  
Projection/First angle

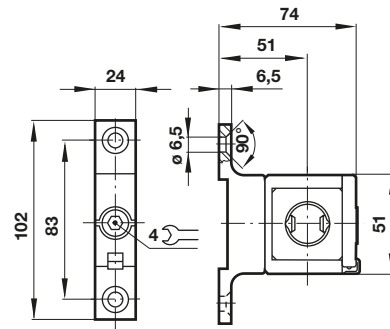


- # Minimum clearance required to remove bowl
- 1 Main ports 1/4", 3/8" or 1/2"
- 3 Transparent bowl with or without guard
- 4 Metal bowl with liquid level indicator lens

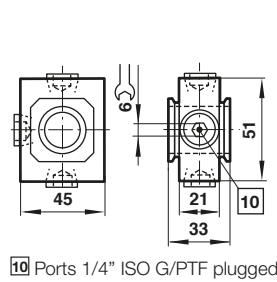
Accessories  
Quikclamp®



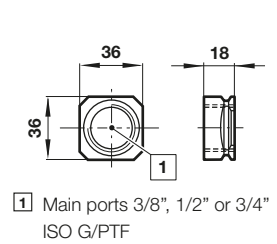
Quikclamp® with wall bracket



Porting block



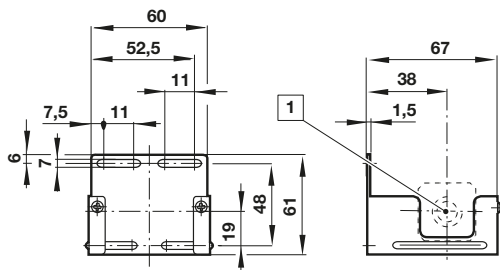
Pipe adapter



- 1 Main ports 3/8", 1/2" or 3/4" ISO G/PTF

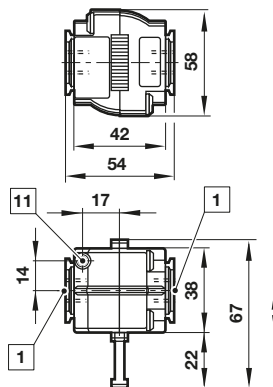
- 10 Ports 1/4" ISO G/PTF plugged

Wall mounting bracket



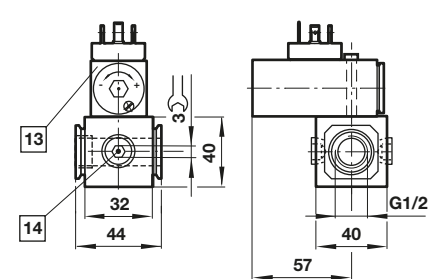
- 1 Main ports

Shut-off valves



- 1 Main ports 1/4", 3/8" or 1/2" ISO G/PTF
- 11 Exhaust port M5 at 3/2 valve only

Porting block for pressure switch



- 13 Pressure switch is not in scope of delivery
- 14 Alternative G1/4 ports plugged

Warning

These products are intended for use in industrial compressed air systems only. Do not use these products where pressures and temperatures can exceed those listed under »Technical features/data«.

Before using these products with fluids other than those specified, for non-industrial applications, life-support systems or other applications not within published specifications, consult IMI Precision Engineering, Norgren Inc. Through misuse, age, or malfunction, components used in fluid power systems can fail in various modes.

The system designer is warned to consider the failure modes of all component parts used in fluid power systems and to provide adequate safeguards to prevent personal injury or damage to equipment in the event of such failure.

System designers must provide a warning to end users in the system instructional manual if protection against a failure mode cannot be adequately provided.

System designers and end users are cautioned to review specific warnings found in instruction sheets packed and shipped with these products.